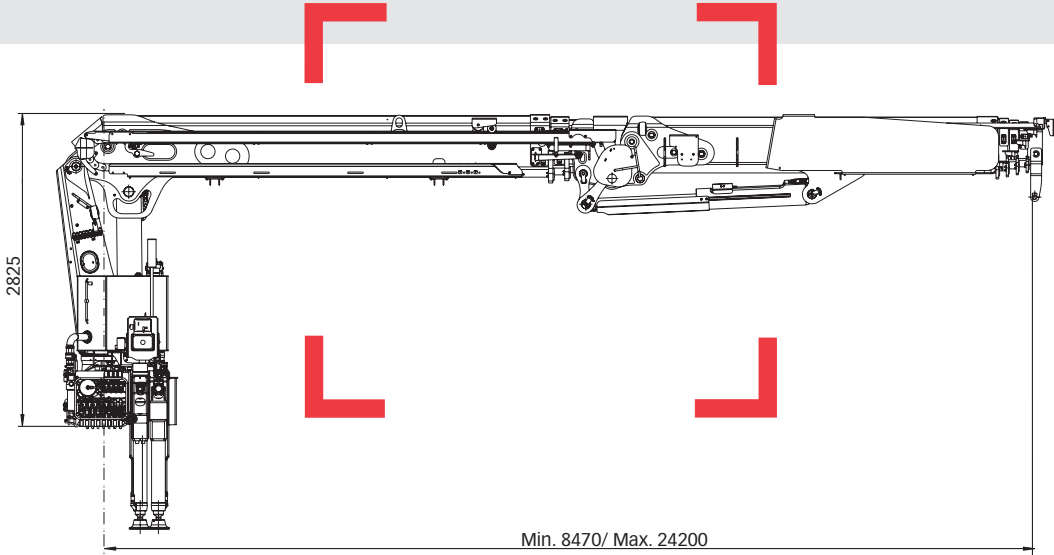
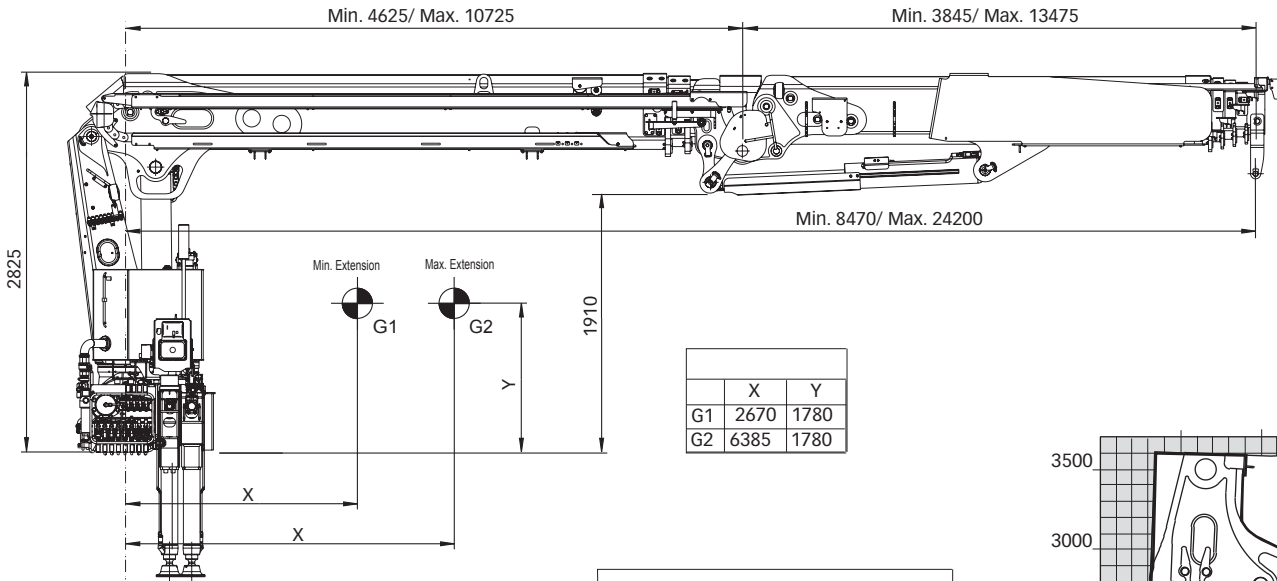


HIAB XS 435 K



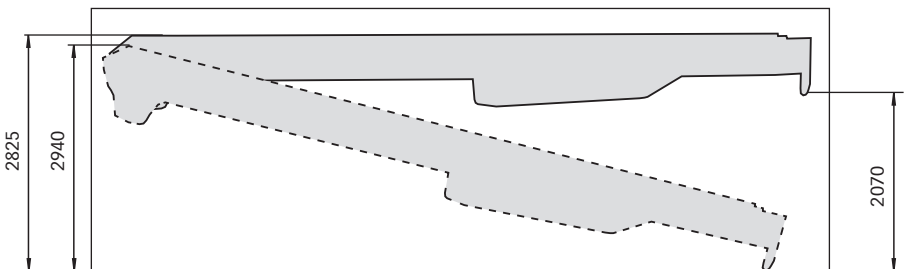
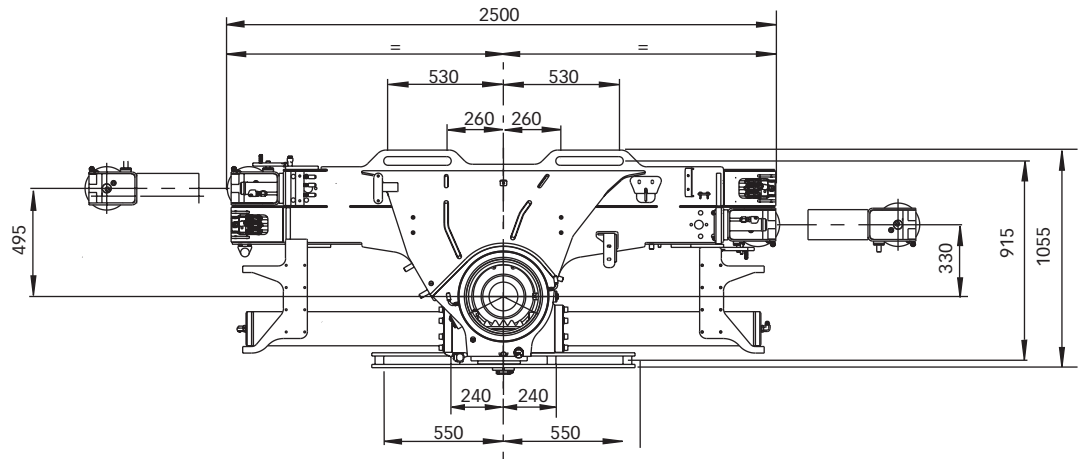
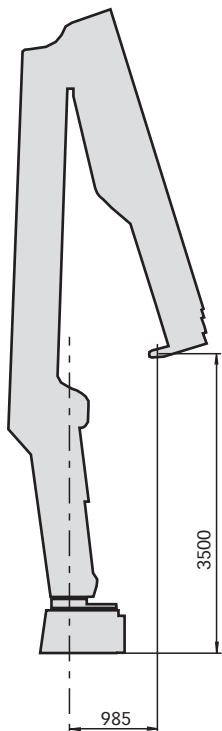
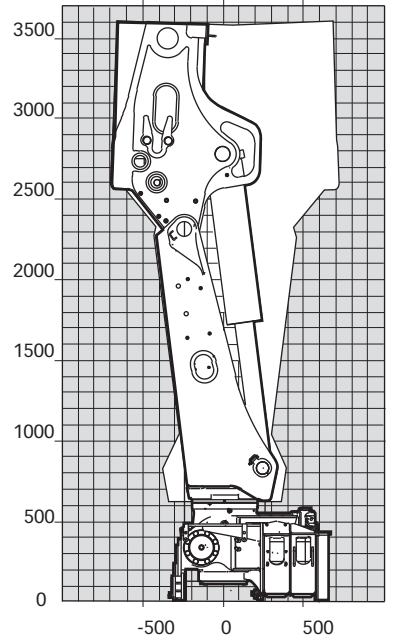
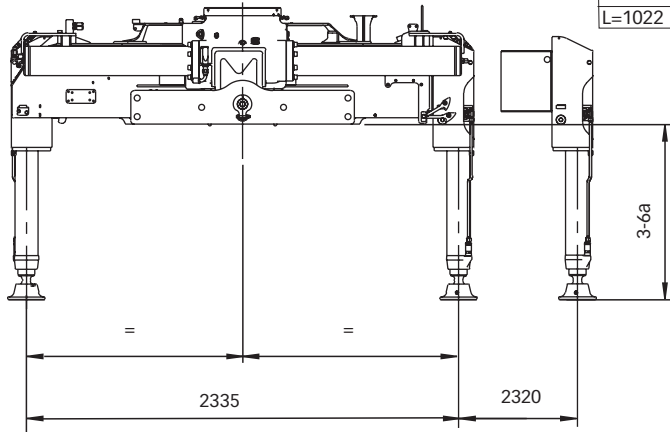
Technical data

HIAB 435 K HIPRO



	X	Y
G1	2670	1780
G2	6385	1780

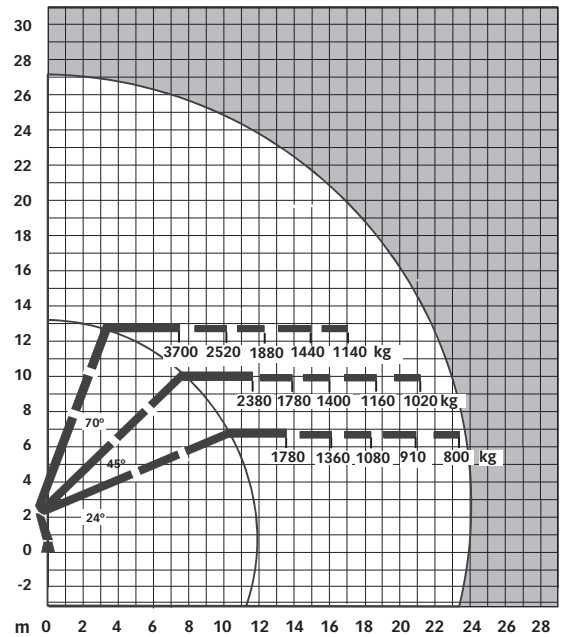
Stabilizer cylinder	3-6a Min	3-6a Max
L=896	810	1415
L=1022	960	1565



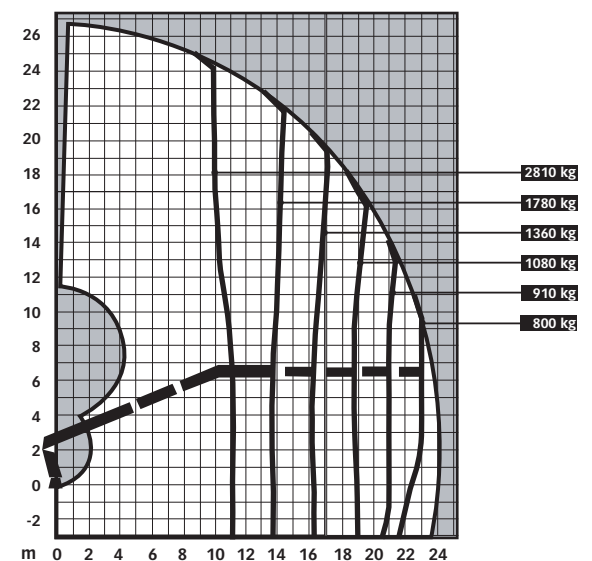
TECHNICAL DATA	HIAB 435K HIPRO
Lifting capacity, max.	380 kNm (38,8 tm)
Hydraulic outreach, standard	24,2 m
Hydraulic first boom extension	6,1 m
First boom extension cylinder pushing force	120 kN
First boom extension cylinder pulling force	93 kN
Hydraulic second boom extension	9,6 m
Second boom extension cylinder pushing force	56 kN
Second boom extension cylinder pulling force	44 kN
Lifting Height at standard first boom 24 deg	6,5 m
Lifting Height at standard first boom 45 deg	9,9 m
Lifting Height at standard first boom 70 deg	12,5 m
Max Lifting Height above installation level	26,8 m
Outreach - Lifting capacity, hydraulic extension First boom 24 deg, Second boom horizontal	13,6 m - 1780 kg 16,1 m - 1360 kg 18,5 m - 1080 kg 20,9 m - 910 kg 23,2 m - 800 kg
Outreach - Lifting capacity, hydraulic extension First boom 45 deg, Second boom horizontal	11,4 m - 2380 kg 13,9 m - 1780 kg 16,3 m - 1400 kg 18,7 m - 1160 kg 21,0 m - 1020 kg
Outreach - Lifting capacity, hydraulic extension First boom 70 deg, Second boom horizontal	7,4 m - 3700 kg 9,9 m - 2520 kg 12,3 m - 1880 kg 14,7 m - 1440 kg 17,0 m - 1140 kg
Recommended oil flow V91M variable pump	80 - 120 l./min.
Working pressure	35,0 MPa
Power needed at rec. oil flow V91M variable pump	47 - 70 kW
Oil in tank, large size	155 l.
Tank capacity, large size	205 l.
Oil in tank, extra-large size	170 l.
Tank capacity, extra-large size	215 l.
Slewing angle	460 °
Max. Slope viable at full capacity	4,4 °
Slewing torque, gross	50,8 kNm (27,5 MPa)
Slewing speed	12 deg/sec
Lifting speed at standard hydr. outreach and rec.oil flow	1,41 m/s
ASC - activated lifting speed	0,28 m/s
Hydraulic first boom extension time out/in	39 s / 30 s
Hydraulic second boom extension time out/in	31 s / 27 s
Height in transport position	2825 mm
Width in transport position	2500 mm
Installation space needed for height reference 1700mm (5' 7")	1055 mm
Weights:	
Crane in standard version without support legs	6050 kg
Frame attachments	117 kg
Support leg equipment 7m span	620 - 650 kg.

LOAD DIAGRAM

To the left of the curve the indicated loads can be handled with any loader function provided that the positions of the booms are optimized from a force point of view.



435K HIPRO



435K HIPRO



Hiab is part of Cargotec Corporation

