

# Hiab XS 144

## Range 11-14 tm

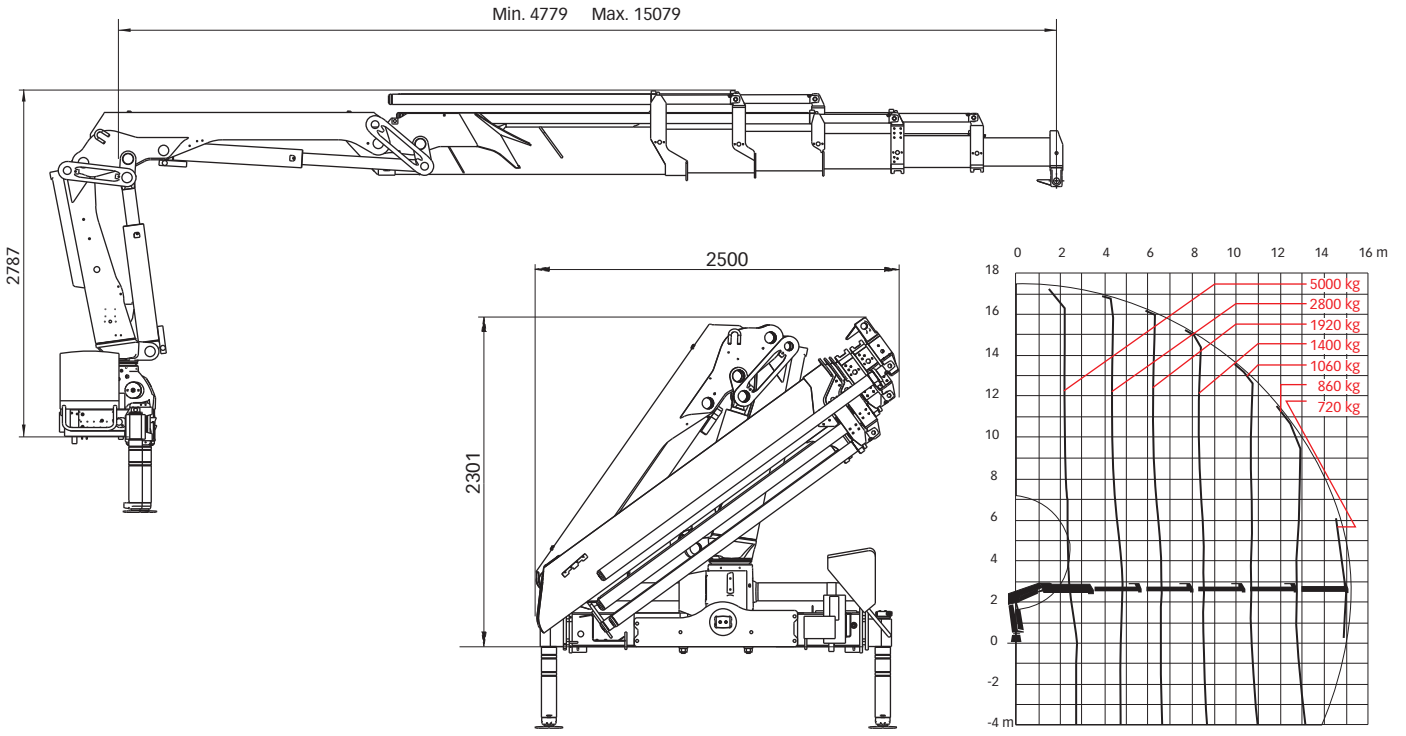


Basic data

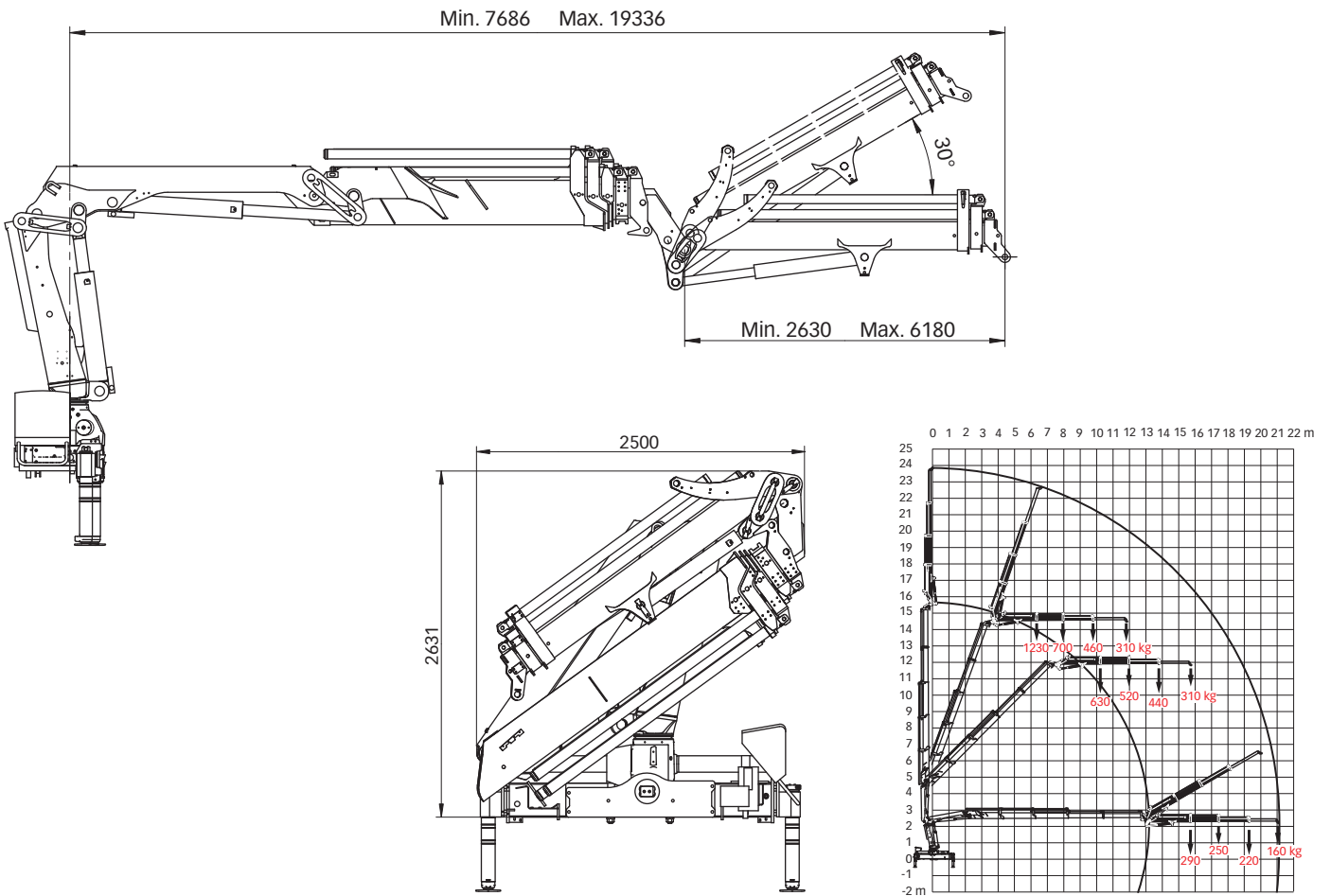
# Hiab XS 144 Basic data

<b>Technical data</b>	<b>B-3 CL</b>	<b>B-3 Duo</b>	<b>E-5 HiDuo</b>	<b>ES-3 HiPro</b>	<b>E-4 HiPro</b>	<b>E-5 HiPro</b>
Max. lifting capacity (kNm)	115	131	128	127	120	118
Outreach - hydraulic extensions (m)	10.6	10.6	15.1	10.2	12.8	15.1
Outreach - manual extensions (m)	12.8	12.8	17.4	17.1	17.4	17.4
Outreach - jib (m)	-	-	-	-	19.3	-
Outreach / lifting capacity (m / kg)	3.0 / 3900	3.1 / 4300	2.6 / 5000	2.2 / 6000	2.5 / 5300	2.6 / 5000
	4.5 / 2600	4.5 / 2900	4.8 / 2700	4.3 / 3300	4.7 / 3000	4.8 / 2800
	6.3 / 1840	6.3 / 2000	6.6 / 1860	6.1 / 2300	6.5 / 2000	6.6 / 1920
	8.3 / 1360	8.2 / 1540	8.5 / 1340	8.0 / 1700	8.4 / 1500	8.5 / 1400
	10.3 / 1080	10.3 / 1200	10.6 / 1020	10.1 / 1340	10.5 / 1160	10.6 / 1060
	-	-	12.8 / 820	-	12.7 / 940	12.8 / 860
	-	-	15.0 / 680	-	-	15.0 / 720
Outreach / lifting capacity, with jib (m / kg)	-	-	-	-	15.7 / 290	-
	-	-	-	-	17.4 / 250	-
	-	-	-	-	19.3 / 220	-
Slewing angle	415°	415°	415°	415°	415°	415°
Height in folded position (mm)	2233	2233	2301	2256	2256	2301
Width in folded position (mm)	2500	2500	2500	2500	2500	2500
Installation space needed (mm)	860	860	854	927	927	927
Weight - "standard" crane without stabilizers (kg)	1660	1660	2130	1960	2080	2190
Weight - stabilizer equipment (kg)	195 - 371	195 - 371	195 - 371	195 - 371	195 - 371	195 - 371
Weight - jib (kg)	-	-	-	-	380	-

**Hiab XS 144 E-5 HiPro**



**Hiab XS 144 E-4 HiPro jib 45X-2**





**Atlas Polar**  
IT'S ALL ABOUT QUALITY™

Atlas Polar Company Ltd.  
60 Northline Road  
Toronto, ON M4B 3E5  
Canada  
**1-888-799-4422**  
[info@atlaspolar.com](mailto:info@atlaspolar.com)  
[www.atlaspolar.com](http://www.atlaspolar.com)