

Hiab XS 111

Range 8-11 tm



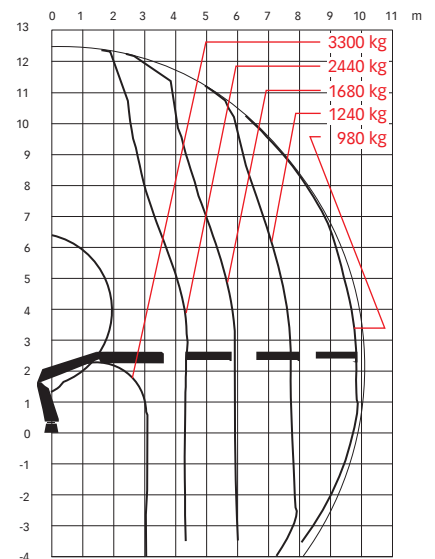
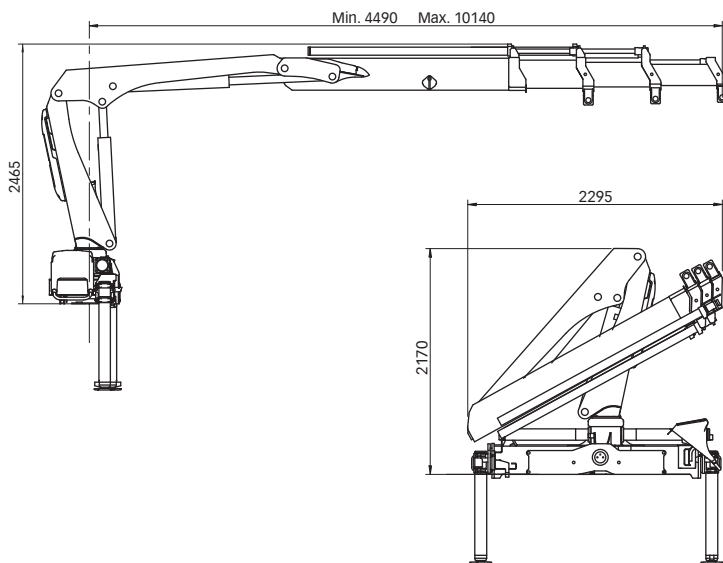
Basic data

Hiab XS 111 Basic data

Technical data

	B-2 Duo	BS-2 HiDuo	B-3 Duo	B-3 HiDuo	E-3 HiDuo	E-5 HiDuo
Max. lifting capacity (kNm)	97	106	93	93	95	89
Outreach - hydraulic extensions (m)	8.0	7.7	10.1	10.1	10.2	14.6
Outreach - manual extensions (m)	12.1	11.8	12.1	12.1	14.3	16.7
Outreach / Lifting capacity, standard (m / kg)	2.8 / 3550	2.3 / 4650	3.1 / 3150	3.1 / 3300	2.4 / 4350	2.6 / 3800
	4.2 / 2360	3.9 / 2780	4.3 / 2200	4.3 / 2440	4.3 / 2440	4.5 / 2180
	5.9 / 1680	5.5 / 1940	5.9 / 1560	5.9 / 1680	6.1 / 1660	6.3 / 1420
	7.7 / 1260	7.4 / 1440	7.8 / 1140	7.8 / 1240	8.1 / 1200	6.3 / 1420
	-	-	9.8 / 900	9.8 / 980	10.2 / 940	10.4 / 720
	-	-	-	-	-	12.5 / 580
	-	-	-	-	-	14.6 / 480
Slewing angle	406°	406°	406°	406°	406°	406°
Height in folded position (mm)	2170	2170	2170	2170	2170	2170
Width in folded position (mm)	2250	2250	2295	2295	2390	2486
Installation space needed (mm)	695	695	785	785	792	808
Weight - "standard" crane without stabilizers (kg)	1200	1180	1300	1300	1620	1770
Weight - stabilizer equipment (kg)	140 - 285	140 - 285	140 - 285	140 - 285	140 - 285	140 - 285

Hiab XS 111 B-3 HiDuo



Atlas Polar
IT'S ALL ABOUT QUALITY™

Atlas Polar Company Ltd.
60 Northline Road
Toronto, ON M4B 3E5
Canada
1-888-799-4422
info@atlaspoler.com
www.atlaspoler.com