

Hiab XS 099 CLX

Capacity 9 tm

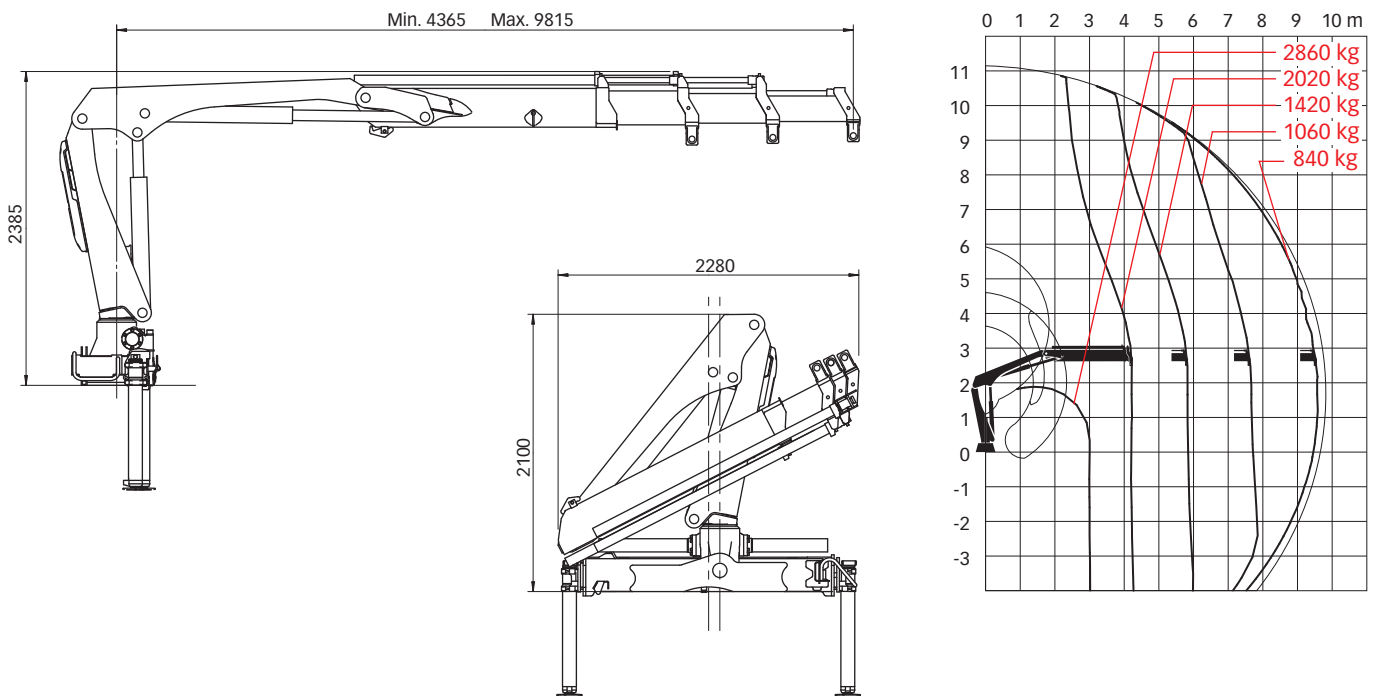


Hiab XS 099 CLX Basic data

Technical data

	B-1 CLX	BS-2 CLX	B-2 CLX	BS-3 CLX	B-3 CLX
Max. lifting capacity (kNm)	90	87	87	84	83
Outreach - hydraulic extensions (m)	5.8	7.5	7.8	9.5	9.8
Outreach - manual extensions (m)	7.6 - 9.5	9.2 - 11.3	9.5 - 11.6	11.3	11.6
Outreach / Lifting capacity, standard (m / kg)	1.7 / 5100	1.7 / 5000	1.7 / 4950	1.7 / 4850	1.7 / 4800
	2.2 / 4050	2.2 / 3950	2.7 / 3250	2.2 / 3900	3.0 / 2860
	4.1 / 2240	3.8 / 2340	4.1 / 2160	3.9 / 2200	4.2 / 2020
	5.7 / 1620	5.4 / 1640	5.7 / 1540	5.5 / 1520	5.8 / 1420
	-	7.3 / 1200	7.6 / 1140	7.3 / 1120	7.6 / 1060
	-	-	-	9.2 / 880	9.5 / 840
Slewing angle	406°	406°	406°	406°	406°
Height in folded position (mm)	2100	2100	2100	2100	2100
Width in folded position - 2300 base (mm)	2135	2225	2225	2280	2280
Installation space needed (mm)	690	690	690	770	770
Weight - "standard" crane without stabilizers (kg)	1040	1130	1140	1220	1230
Weight - stabilizer equipment (kg)	140 - 285	140 - 285	140 - 285	140 - 285	140 - 285

Hiab XS 099 B-3 CLX



Disclaimer. Hiab cranes have been built to meet the highest standards of safety and service life and have been thoroughly tested. Strength calculations for this model have been carried out in accordance with EN13001 in fatigue class S2. Cargotec's certified Quality Assurance System complies with ISO 9001. Some of the items in our literature may be extra equipment. Certain applications may require an official permit. We reserve the right to change technical specifications without prior notice. Hiab cranes produced for EU-countries are CE-marked and comply with the European Standard EN 12999.

Cargotec improves the efficiency of cargo flows by offering solutions for the loading and unloading of goods on land and at sea – wherever cargo is on the move. Cargotec's main daughter brands for cargo handling Hiab, Kalmar and MacGregor are global market leaders in their fields. www.cargotec.com