

Hiab XS 088

Range 6-9 tm



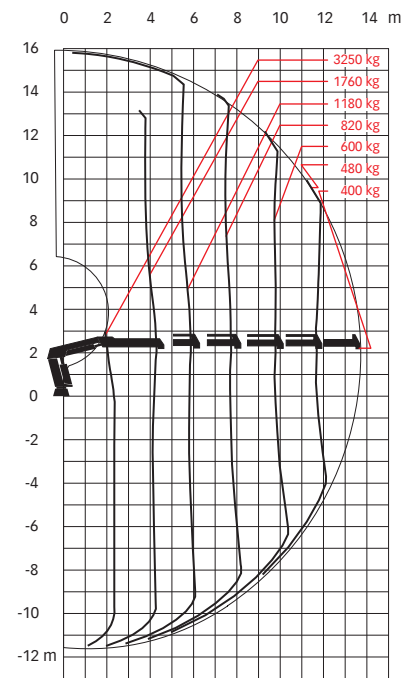
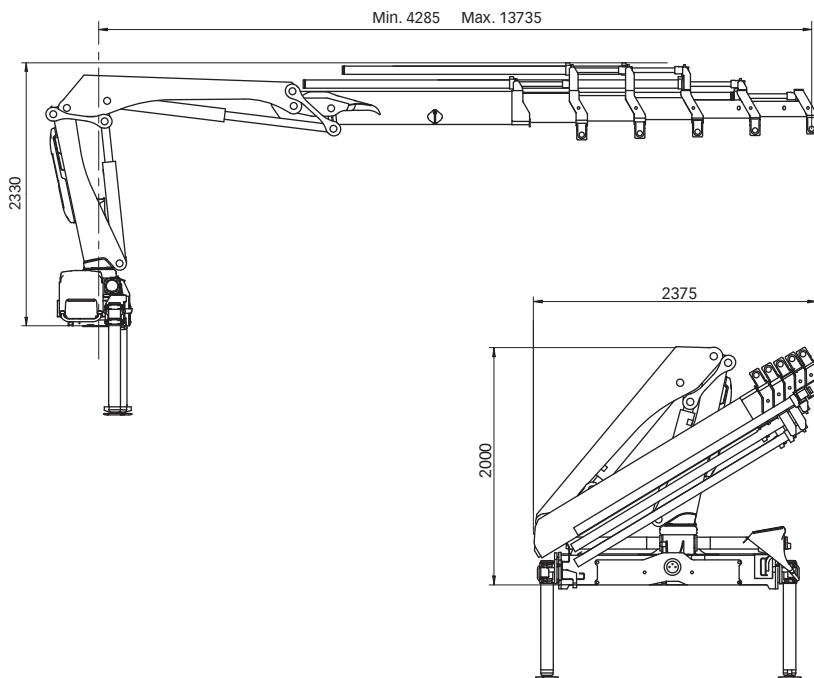
Basic data

Hiab XS 088 Basic data

Technical data

	B-3 CL	B-2 Duo	E-4 HiDuo	E-5 HiDuo
Max. lifting capacity (kNm)	65	69	71	68
Outreach - hydraulic extensions (m)	9.7	7.7	11.6	13.7
Outreach - manual extensions (m)	11.8	11.3	13.7	-
Outreach / Lifting capacity, standard (m / kg)	3.1 / 2300	2.9 / 2700	2.2 / 3500	2.2 / 3250
	3.9 / 1700	3.8 / 2000	4.2 / 1860	4.3 / 1760
	5.5 / 1160	5.4 / 1380	5.8 / 1260	5.9 / 1180
	7.3 / 840	7.3 / 1020	7.7 / 900	7.8 / 820
	9.2 / 660	-	9.6 / 700	9.7 / 600
	-	-	11.6 / 560	11.7 / 480
	-	-	-	13.7 / 400
Slewing angle	400 - 406°	400 - 406°	400 - 406°	400 - 406°
Height in folded position (mm)	1990	2000	2000	2000
Width in folded position (mm)	2190	2190	2320	2375
Installation space needed (mm)	710	685	720	785
Weight - "standard" crane without stabilizers (kg)	1170	1080	1260	1340
Weight - stabilizer equipment (kg)	135 - 205	140 - 285	140 - 285	140 - 285

Hiab XS 088 E-5 HiDuo



Atlas Polar
IT'S ALL ABOUT QUALITY™

Atlas Polar Company Ltd.
60 Northline Road
Toronto, ON M4B 3E5
Canada
1-888-799-4422
info@atlaspoler.com
www.atlaspoler.com