

Hiab XS 077 CLX

Capacity 50,600 ft-lbs



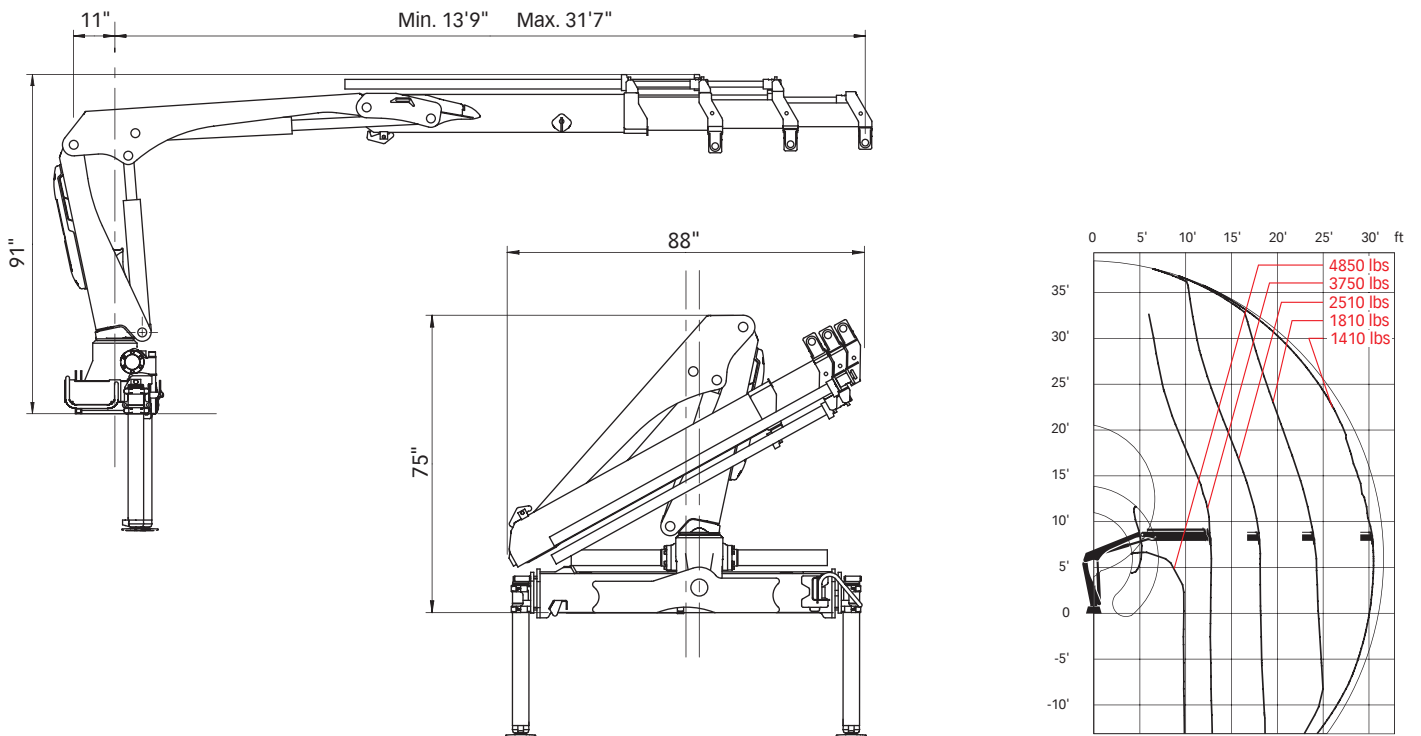
Basic data

Hiab XS 077 CLX Basic data

Technical data

	B-1 CLX	B-2 CLX	B-3 CLX	E-3 CLX	E-4 CLX
Max. lifting capacity (ft-lbs)	51,370	49,200	47,750	46,310	44,140
Outreach - hydraulic extensions	18' 8"	24' 11"	31' 6"	31' 2"	38' 1"
Outreach - manual extensions	30' 2"	37' 1"	37' 1"	37' 9"	-
Outreach / Lifting capacity, standard (ft / lbs)	5' 3" / 9,260	5' 3" / 8,930	5' 3" / 8,710	-	-
	7' 10" / 6,440	8' 10" / 5,560	9' 10" / 4,850	6' 11" / 5,600	7' 3" / 5,200
	12' 6" / 4,140	12' 6" / 3,920	12' 6" / 3,750	13' 1" / 3,530	13' 5" / 3,260
	17' 9" / 2,910	17' 9" / 2,690	17' 9" / 2,510	18' 4" / 2,430	18' 8" / 2,200
	-	23' 7" / 2,030	23' 11" / 1,810	24' 7" / 1,720	24' 11" / 1,540
	-	-	30' 2" / 1,410	30' 10" / 1,370	31' 2" / 1,190
	-	-	-	-	38' 1" / 970
Slewing angle	406°	406°	406°	406°	406°
Height in folded position	75"	75"	75"	75"	75"
Width in folded position - 2300 base	83"	86"	88"	88"	92"
Installation space needed	27"	27"	29"	31"	28"
Weight - "standard" crane without stabilizers (lbs)	1,930	2,140	2,340	2,340	2,510
Weight - stabilizer equipment (lbs)	310 - 630	310 - 630	310 - 630	310 - 630	310 - 630

Hiab XS 077 B-3 CLX



Atlas Polar Company Ltd.
 60 Northline Road
 Toronto, ON M4B 3E5
 Canada
1-888-799-4422
 info@atlaspoler.com
 www.atlaspoler.com