

HIAB X-HIPRO 658



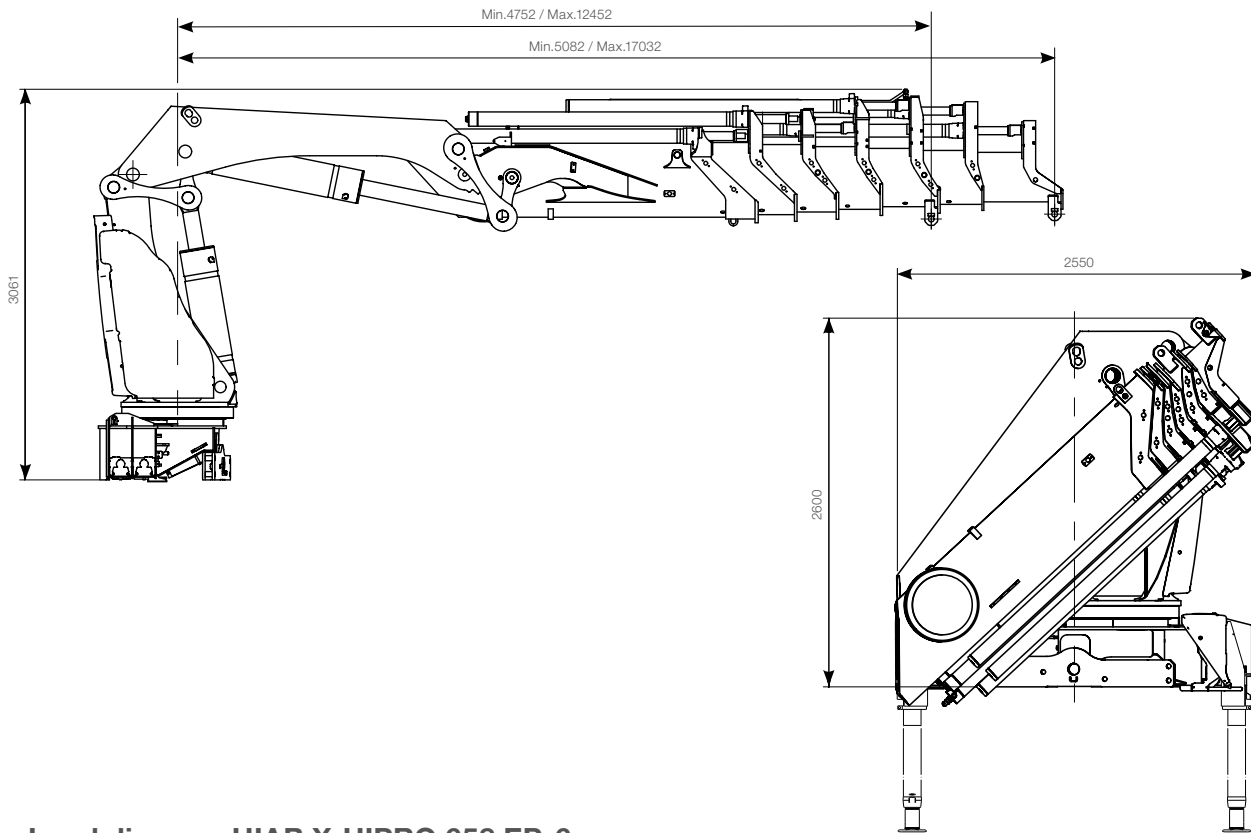
HIAB X-HIPRO 658 BASIC DATA

Technical data	HIAB X-HIPRO 658 EP-6
Max. lifting capacity (kNm)	544
Outreach, hydraulic extensions (m)	17
Outreach - Lifting capacity, hydraulic extension First boom 10 deg, Second boom horizontal	5.1 / 10900 6.7 / 8000 8.6 / 6000 10.6 / 4750 12.7 / 3850 14.7 / 3250 16.9 / 2820
Slewing angle (°)	endless
Height in folded position (mm)	2600
Width in folded position (mm)	2550
Installation space needed (mm)	1507
Installation space needed (including rotation space) (mm)	1595
Weight, "standard" crane, without stabilisers (kg)	5545
Weight, frame attachments (kg)	78-123
Weight, stabiliser equipment, 9 m span (kg)	1015-1123

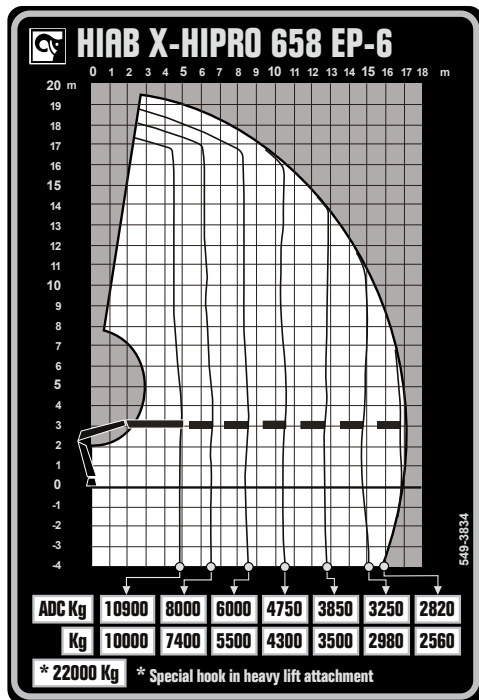
This table shows a few examples of models, and represents some of all options available. With the opportunity to configure your crane, we can provide you with a crane perfectly tailored to your needs.

Please contact your local dealer for more information on the variety of options we can offer.

HIAB X-HIPRO 658 EP-6



Load diagram HIAB X-HIPRO 658 EP-6





Atlas Polar
IT'S ALL ABOUT QUALITY™

Atlas Polar Company Ltd.
60 Northline Road
Toronto, ON M4B 3E5
Canada
1-888-799-4422
info@atlaspolar.com
www.atlaspolar.com