

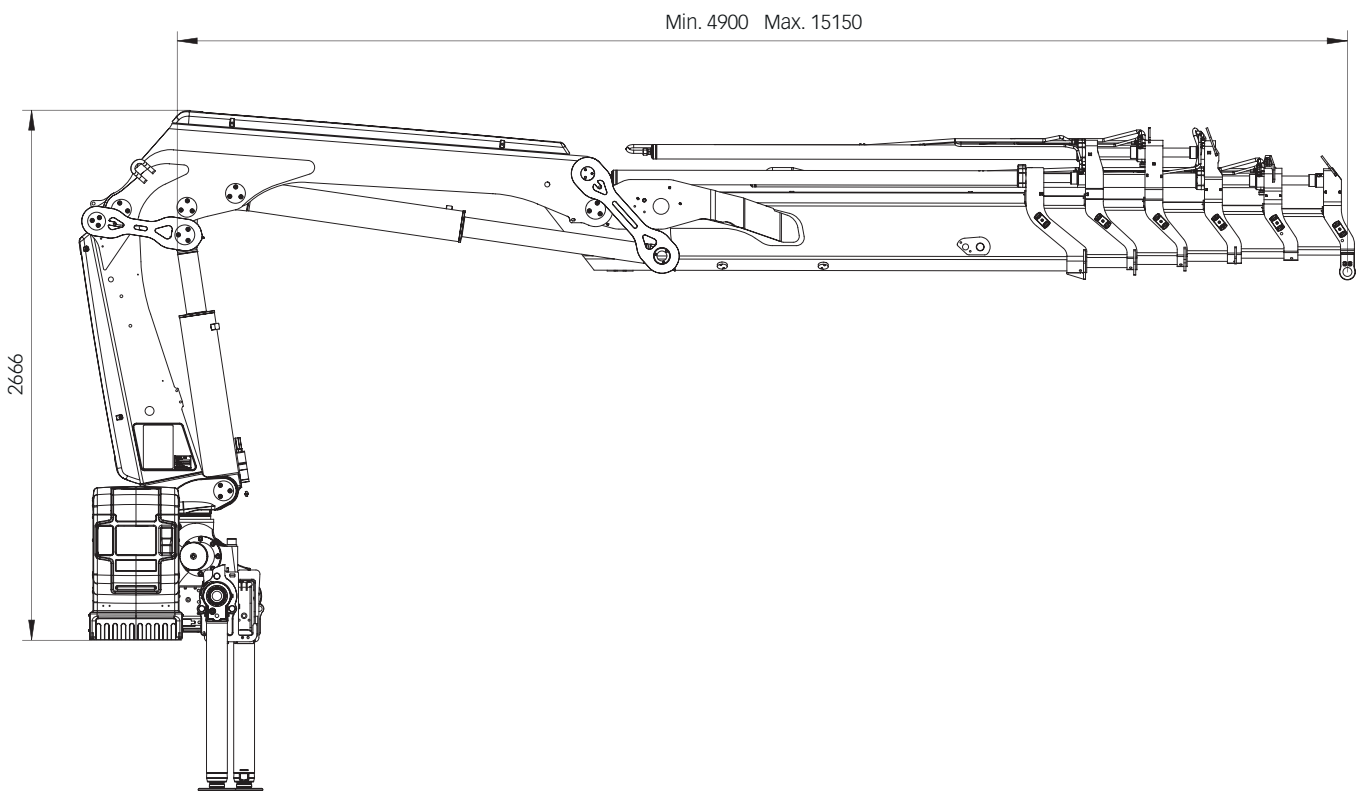
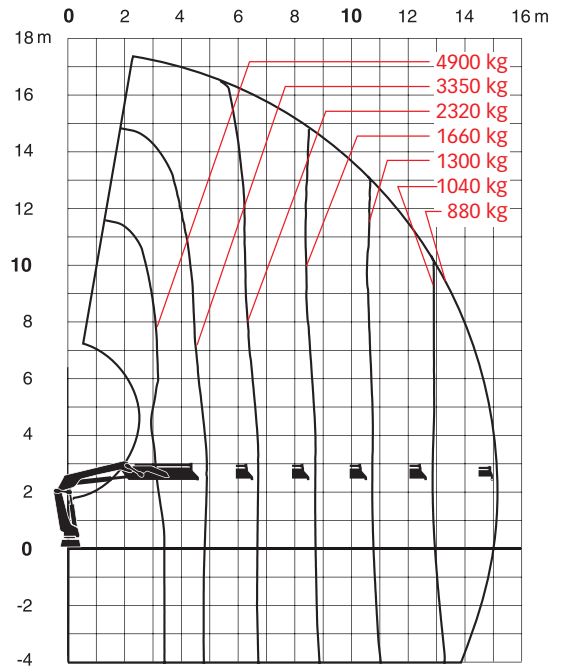
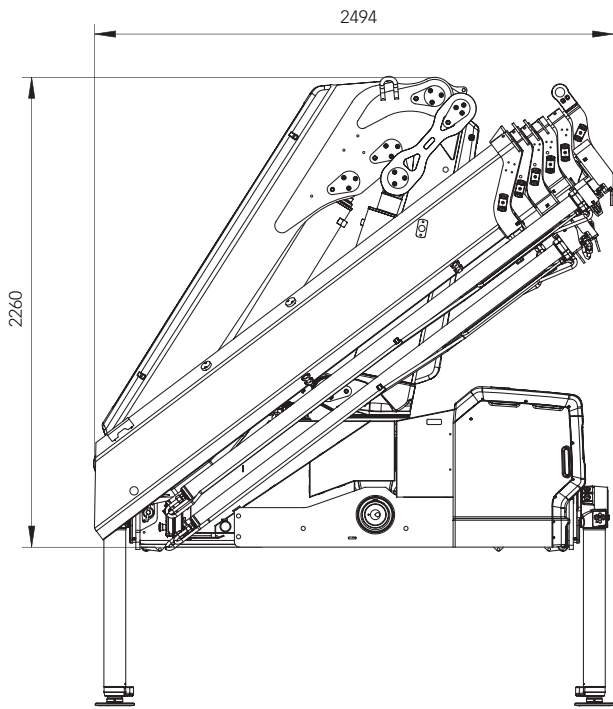
# HIAB X-HIPRO 192



# HIAB X-HIPRO 192 BASIC DATA

Technical data	ES-2	E-3	E-5	E-6
Max. lifting capacity (kNm)	177.5	171.7	163.2	160
Outreach, hydraulic extensions (m)	8.3	10.8	15.2	17.5
Outreach, manual extensions (m)	10.5	12.9	17.5	19.4
Outreach, with jib (m)	-	-	-	-
Outreach / lifting capacity (m/kg)	3.1 / 5800 4.4 / 4100 6.2 / 2900 8.2 / 2180 - - - -	3.3 / 5300 4.8 / 3650 6.6 / 2550 8.6 / 1920 10.6 / 1540 - -	3.4 / 4900 4.9 / 3350 6.7 / 2320 8.7 / 1660 10.7 / 1300 12.8 / 1040 15 / 880 -	3.4 / 4800 5.0 / 3200 6.8 / 2180 8.8 / 1540 10.8 / 1180 12.9 / 930 15.1 / 760 17.4 / 650
Outreach / lifting capacity, with jib (m / kg)	-	-	-	-
Slewing angle (°)	415	415	415	415
Height in folded position (mm)	2260	2260	2260	2260
Width in folded position (mm)	2470	2470	2494	2494
Installation space needed (mm)	865	965	965	965
Weight, "standard" crane, without stabilisers (kg)	1935	2095	2375	2495
Weight, stabiliser equipment (kg)	271 - 428	271 - 428	271 - 428	271 - 428
Weight, jib (kg)	-	-	-	-

# HIAB X-HiPro 192 E5





**Atlas Polar**  
IT'S ALL ABOUT QUALITY™

Atlas Polar Company Ltd.  
60 Northline Road  
Toronto, ON M4B 3E5  
Canada  
**1-888-799-4422**  
info@atlaspolar.com  
www.atlaspolar.com