

HIAB X-HIDUO 158



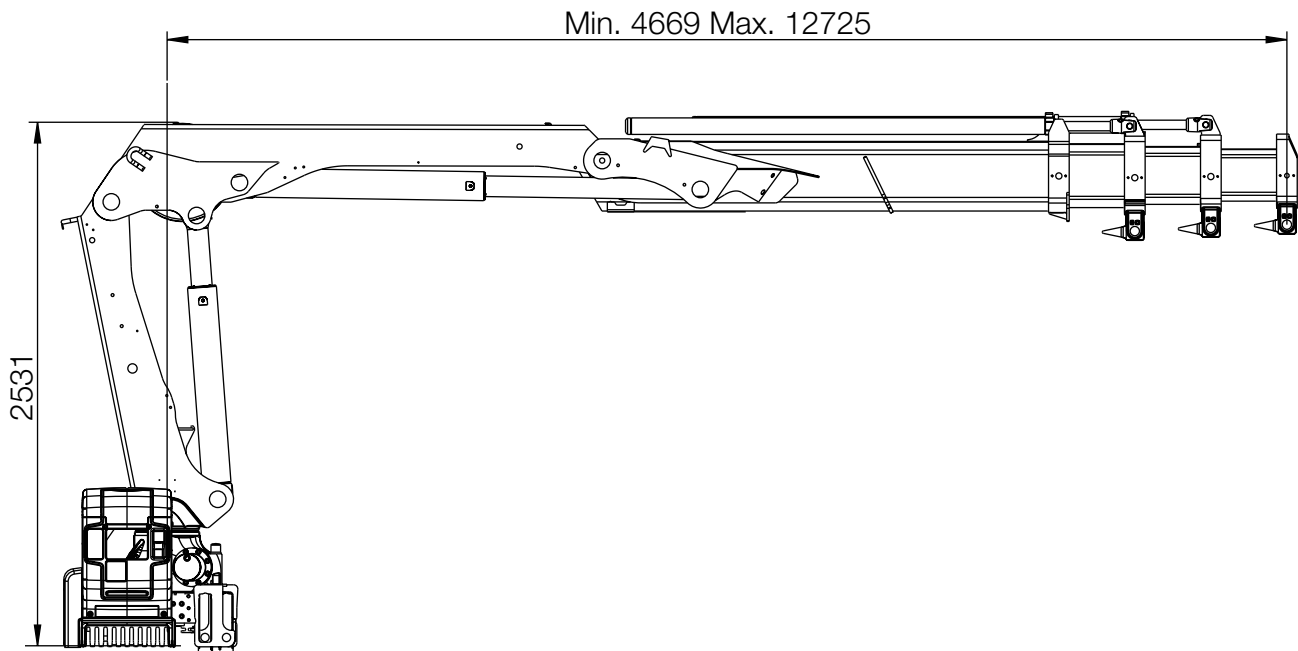
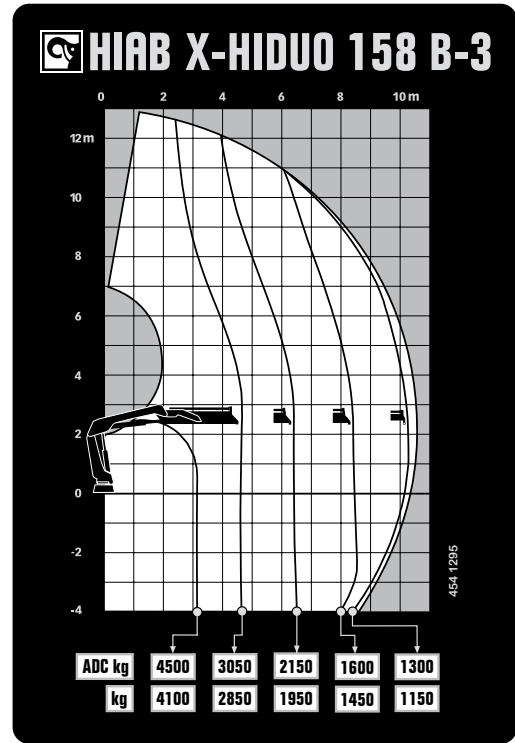
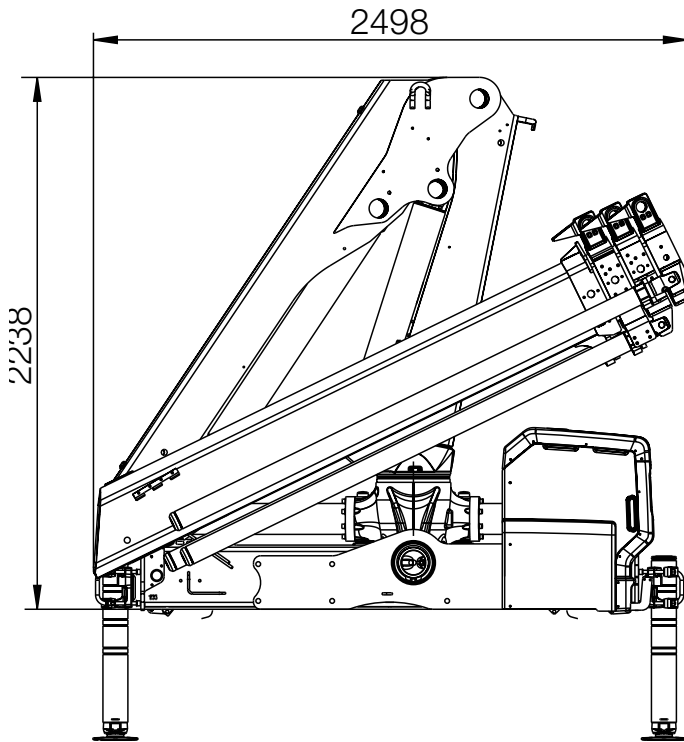
HIAB X-HIDUO 158 BASIC DATA

BASIC DATA	X-HiDuo 158 B-2	X-HiDuo 158 B-3	X-HiDuo 158 E-3	X-HiDuo 158 E-5
Mdyn	176 kNm	177 kNm	177 kNm	181 kNm
Lifting capacity (kNm)	131	126	122	115
Lifting capacity (tm)	13,4	12,8	12,4	11,7
Lifting capacity (ADC) (kNm)	142	137	135	128
Lifting capacity (ADC) (tm)	14,5	14	13,8	13,1
Outreach - lifting capacity, standard (m-kg)	2,9 - 5 000	3,1 - 4 500	2,4 - 5 600	2,6 - 5 000
	4,4 - 3 300	4,5 - 3 050	4,6 - 3 000	4,8 - 2 700
	6,2 - 2 300	6,3 - 2 150	6,4 - 2 100	6,6 - 1 860
	8,1 - 1 750	8,2 - 1 600	8,3 - 1 580	8,5 - 1 340
		10,3 - 1 300	10,4 - 1 240	10,6 - 1 020 12,8 - 820 15 - 680
Outreach - lifting capacity, manual extensions (m-kg)	10 - 1 280	12,2 - 960	12,6 - 960	17,3 - 540
Hydraulic outreach, standard (m)	8,4	10,6	10,5	15,1
Hydraulic boom extension (m)	3,9 m	5,9 m	5,9 m	10,3 m
Outreach, manual extensions (m)	0	12,8	0	17,4
Lifting height above installation level, hydr/man (m)	10,8 / 15,2	13,0 / 15,2	12,9 / 19,8	17,5 / 19,8
Rec. oil flow (l/min)	50 - 60	50 - 60	50 - 60	50 - 60
Working pressure (Mpa)	27,2	27,2	30	30
Oil in tank (l)	70 - 200	70 - 200	70 - 200	70 - 200
Tank capacity (l)	0 - 235	0 - 235	0 - 235	0 - 235
Slewing angle (°)	415	415	415	415
Max slope viable at full capacity (°)	5	5	5	5
Slewing torque, gross (kNm)	16,4	16,4	16,4	16,4
Slewing speed 80 (°/s)	15	15	15	15
Slewing speed (°/s)	15	15	15	15
Lifting speed at standard hydraulic outreach (m/s)	1,1	1,4	1,5	2,2
Height in folded position (mm)	2 238	2 238	2 261	2 261
Width in folded position (mm)	2 440	2 498	2 402	2 519
Install space required with hose and pipe kit (mm)	1 020	1 018	1 036	1 036
Crane in standard version without stabiliser system (kg)	1 590	1 700	1 910	2 130
Frame attachments (kg)	32 - 65	32 - 65	32 - 65	32 - 65
Stabiliser system (kg)	244 - 385	244 - 385	244 - 385	244 - 385

This table show one example of a model, and represents some of all options available. With the opportunity to configure your crane, we can provide you with a crane perfectly tailored to your needs.

Please contact your local dealer for more information and the exact data on the variety of options we can offer.

Hiab X-HIDUO 158 B-3





Atlas Polar
IT'S ALL ABOUT QUALITY™

Atlas Polar Company Ltd.
60 Northline Road
Toronto, ON M4B 3E5
Canada
1-888-799-4422
info@atlaspolar.com
www.atlaspolar.com