

HIAB X-CLX 528 EP-5

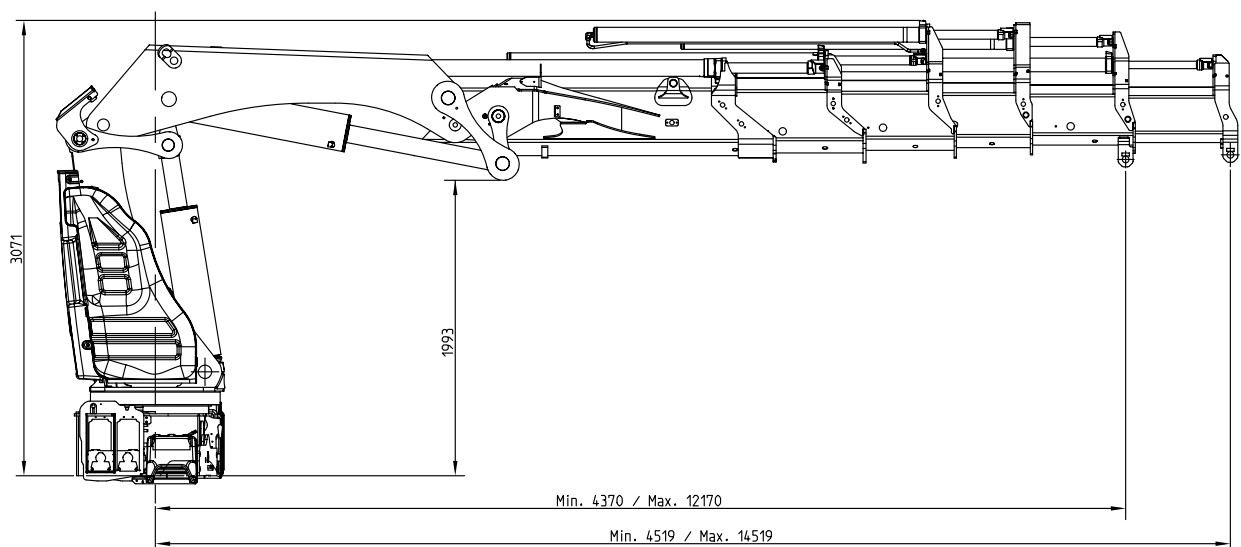


HIAB X-CLX 528 EP-5 BASIC DATA

TECHNICAL DATA	HIAB X-CLX 528 EP-5
Lifting capacity, max.(ADC)	443 kNm
Outreach, crane hydraulic extensions	14,5 m
Outreach - Lifting capacity, hydraulic extension First boom 7°, Second boom horizontal"	4,6 / 9800
	6,4 / 6900
	8,3 / 5200
	10,3 / 4050
	12,3 / 3350
14,5 / 2840	
Slewing angle	continuous
Height in folded position	2500 mm
Width in folded position	2546 mm
Installation space needed	1283 mm
Weights:	
Weight, crane in standard version without stabilisers	4542 kg
Weight, frame attachments	78 - 123 kg
Weight, stabiliser equipment	788 - 896 kg

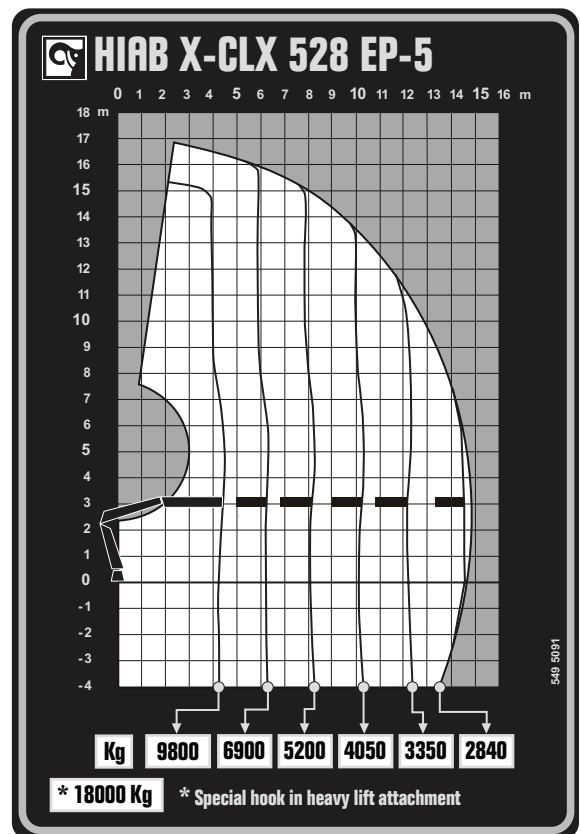
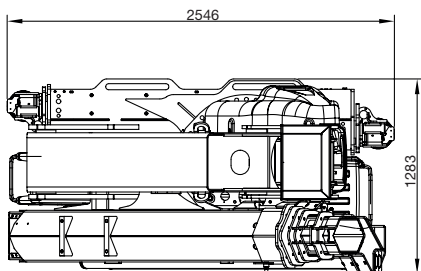
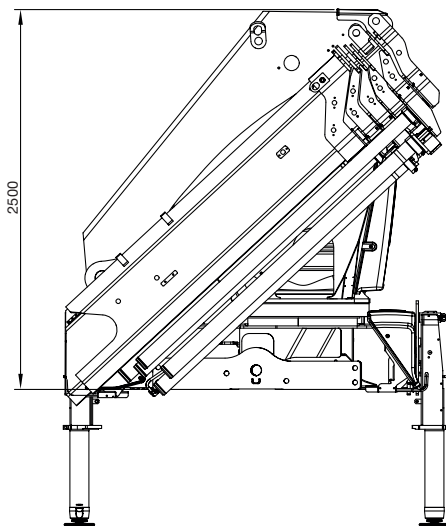
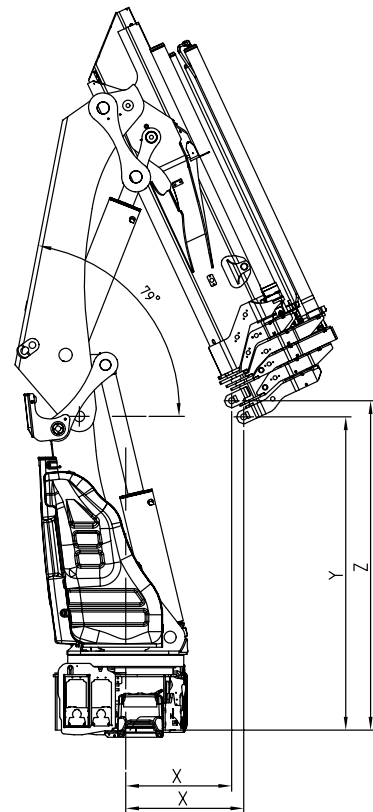
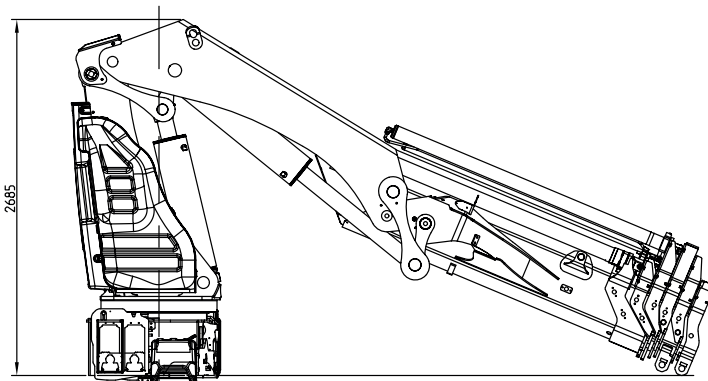
This table show one example of a model, and represents some of all options available. With the opportunity to configure your crane, we can provide you with a crane perfectly tailored to your needs.

Please contact your local dealer for more information and the exact data on the variety of options we can offer.



HIAB X-CLX 528 EP-5

X	Y	Z
700	2300	2451
1000	2406	2565





Atlas Polar
IT'S ALL ABOUT QUALITY™

Atlas Polar Company Ltd.
60 Northline Road
Toronto, ON M4B 3E5
Canada
1-888-799-4422
info@atlaspolar.com
www.atlaspolar.com