

# HIAB X-CLX 218



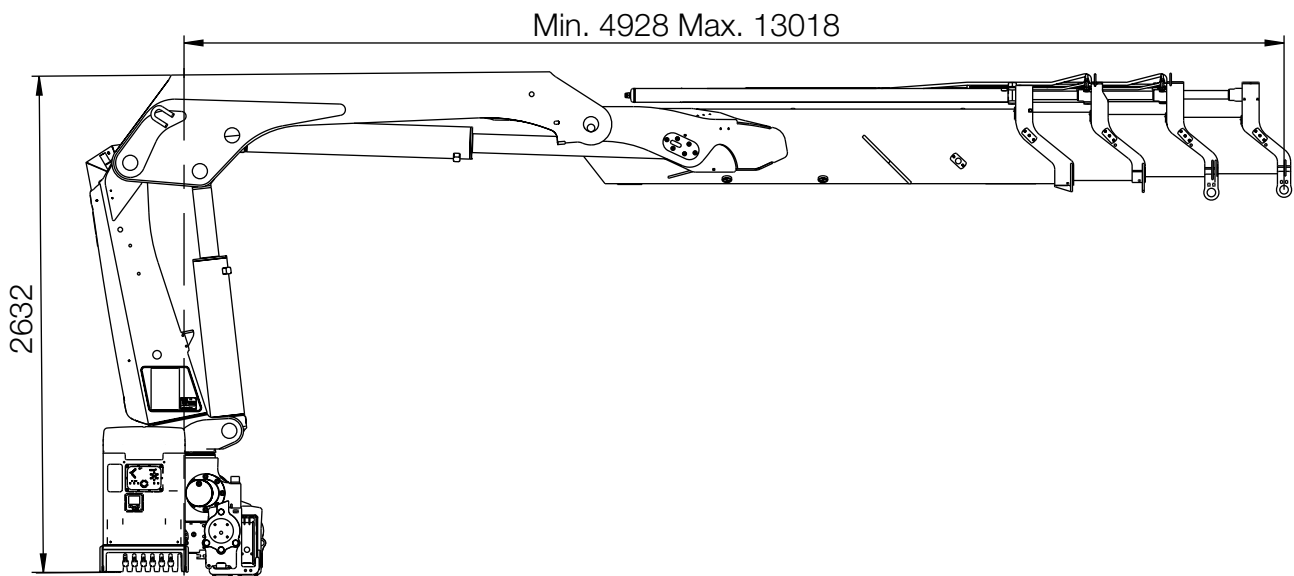
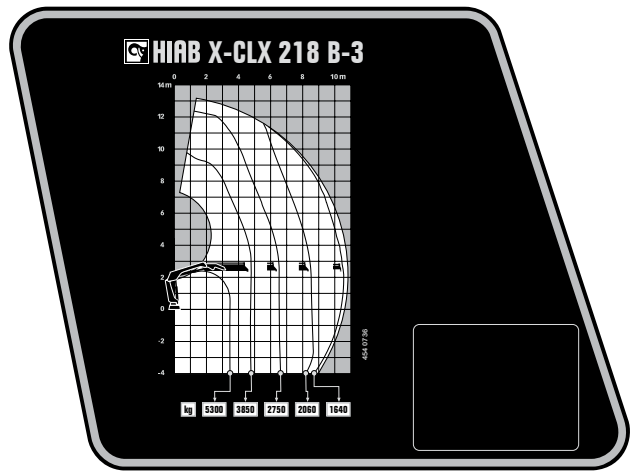
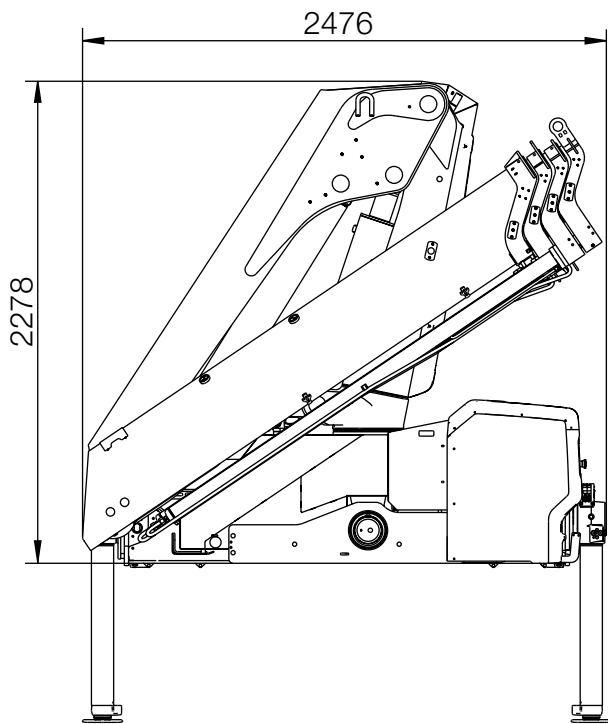
# HIAB X-CLX 218 BASIC DATA

BASIC DATA	X-CLX 218 B-1	X-CLX 218 B-1	X-CLX 218 B-3	X-CLX 218 B-4	X-CLX 218 E-3
Mdyn	237 kNm	237 kNm	246 kNm	249 kNm	248 kNm
Lifting capacity (kNm)	192	192	180	176	180
Lifting capacity (tm)	19,6	19,6	18,4	17,9	18,4
Outreach - lifting capacity, standard (m-kg)	3,2 - 6 000	3,2 - 6 000	3,5 - 5 300	3,5 - 5 100	3,5 - 5 200
	4,6 - 4 250	4,6 - 4 250	4,7 - 3 850	4,7 - 3 750	4,7 - 3 900
	6,4 - 3 050	6,4 - 3 050	6,4 - 2 750	6,4 - 2 650	6,5 - 2 750
			8,4 - 2 060	8,4 - 1 940	8,5 - 2 060
			10,5 - 1 640	10,5 - 1 500	10,5 - 1 660
		12,6 - 1 240			
Outreach - lifting capacity, manual extensions (m-kg)	8,4 - 2 240	8,4 - 2 240	12,6 - 1 280	14,9 - 940	12,7 - 1 300
Hydraulic outreach, standard (m)	6,6	6,6	10,8	12,9	10,6
Hydraulic boom extension (m)	1,9 m	1,9 m	5,9 m	8,0 m	5,9 m
Lifting height above installation level, hydr/man (m)	9,0 / 11,1	9,0 / 11,1	13,2 / 15,4	15,3 / 17,6	13,1 / 15,3
Rec. oil flow (l/min)	45 - 55	45 - 55	45 - 55	45 - 55	45 - 55
Working pressure (Mpa)	30,8	30,8	30,8	30,8	30,8
Oil in tank (l)	92 - 200	92 - 200	92 - 200	92 - 200	92 - 200
Tank capacity (l)	0 - 235	0 - 235	0 - 235	0 - 235	0 - 235
Slewing angle (°)	415	415	415	415	415
Max slope viable at full capacity (°)	6	6	6	6	6
Slewing torque, gross (kNm)	28,3	28,3	28,3	28,3	28,3
Slewing speed 80 (°/s)	15	15	15	15	15
Slewing speed (°/s)	15	15	15	15	15
Lifting speed at standard hydraulic outreach (m/s)	0,9	0,9	1,5	1,8	1,4
Height in folded position (mm)	2 278	2 278	2 278	2 278	2 269
Width in folded position (mm)	2 476	2 476	2 476	2 476	2 485
Install space required with hose and pipe kit (mm)	1 364	1 364	1 381	1 471	1 407
Crane in standard version without stabiliser system (kg)	1 690	1 690	2 000	2 140	2 120
Frame attachments (kg)	41 - 65	41 - 65	41 - 65	41 - 65	41 - 65
Stabiliser system (kg)	271 - 428	271 - 428	271 - 428	271 - 428	271 - 428

This table show one example of a model, and represents some of all options available. With the opportunity to configure your crane, we can provide you with a crane perfectly tailored to your needs.

Please contact your local dealer for more information and the exact data on the variety of options we can offer.

# Hiab X-CLX 218 B-3





**Atlas Polar**  
IT'S ALL ABOUT QUALITY™

Atlas Polar Company Ltd.  
60 Northline Road  
Toronto, ON M4B 3E5  
Canada  
**1-888-799-4422**  
info@atlaspolar.com  
www.atlaspolar.com