

HIAB X-CLX 148

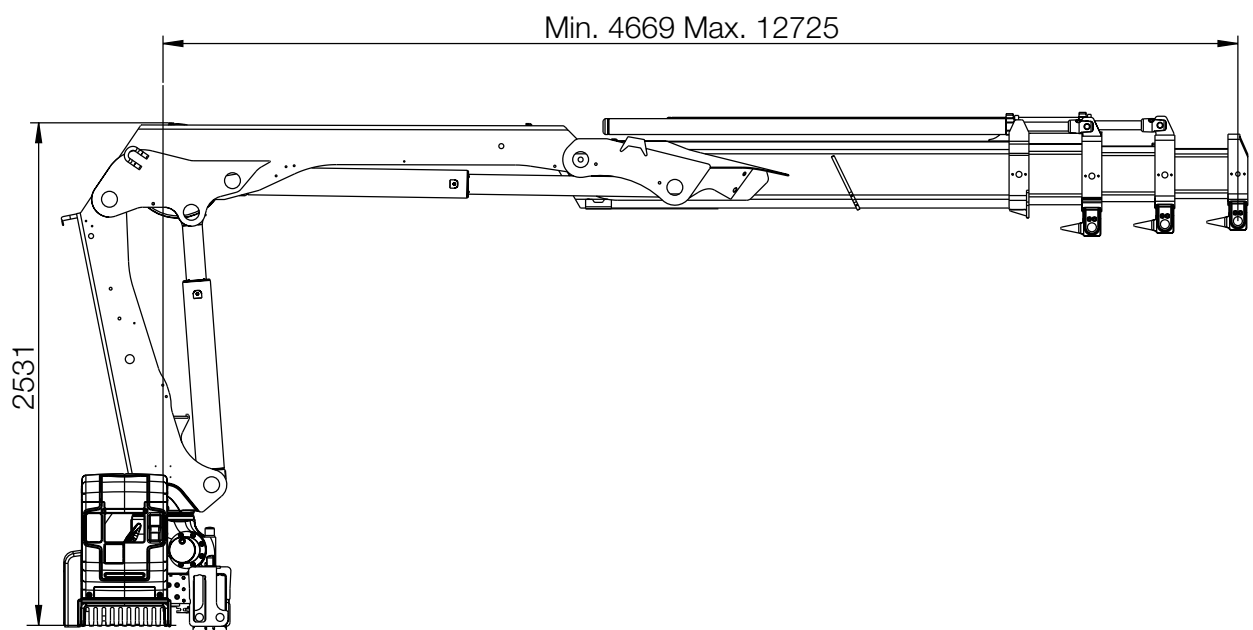
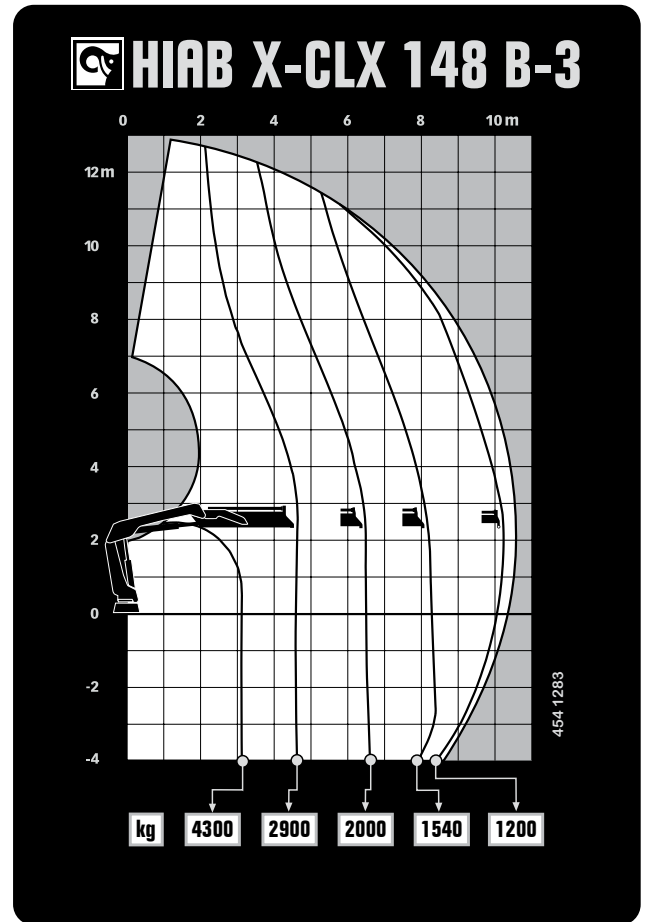
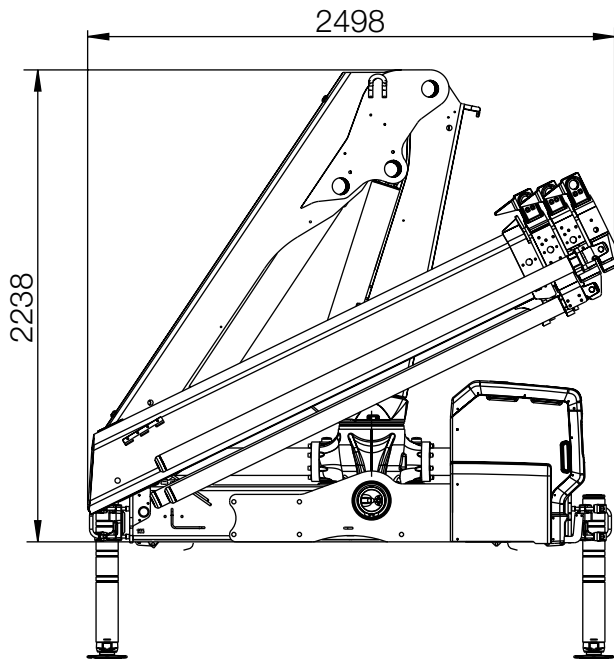


HIAB X CLX 148 BASIC DATA

BASIC DATA	X-CLX 148 B-1	X-CLX 148 B-2	X-CLX 148 B-3	X-CLX 148 E-3	X-CLX 148 E-4
Mdyn	173 kNm	176 kNm	179 kNm	179 kNm	182 kNm
Lifting capacityk (Nm)	139	134	131	126	123
Lifting capacity (tm)	14,2	13,7	13,4	12,8	12,5
Lifting capacity (ADC) (kNm)	0	0	0	0	0
Lifting capacity (ADC) (tm)	0	0	0	0	0
Outreach - lifting capacity, standard (m-kg)	2,8 - 4 900	2,8 - 4 600	3,1 - 4 300	2,4 - 5 300	2,5 - 5 000
	4,3 - 3 300	4,3 - 3 100	4,5 - 2 900	4,6 - 2 800	4,7 - 2 600
	6 - 2 300	6,1 - 2 200	6,3 - 2 000	6,4 - 1 960	6,5 - 1 800
		8 - 1 660	8,2 - 1 540	8,3 - 1 480	8,4 - 1 320
			10,3 - 1 200	10,4 - 1 160	10,5 - 1 020 12,7 - 820
Outreach - lifting capacity, manual extensions (m-kg)	7,9 - 1 660	10 - 1 220	12,5 - 900	12,6 - 880	15 - 660
	10 - 1 220	12,2 - 940		15 - 700	17,3 - 520
	12,2 - 940			17,3 - 560	
Hydraulic outreach, standard (m)	6,3	8,4	10,6	10,5	12,8
Hydraulic boom extension (m)	1,9 m	3,9 m	5,9 m	5,9 m	8,1 m
Outreach, manual extensions (m)	0	0	12,8	0	0
Lifting height above installation level, hydr/man (m)	8,7 / 15,2	10,8 / 15,2	13,0 / 15,2	12,9 / 19,8	15,2 / 19,8
Rec. oil flow (l/min)	45 - 50	45 - 50	45 - 50	45 - 50	45 - 50
Working pressure (Mpa)	25,9	25,9	25,9	28,3	28,3
Oil in tank (l)	70 - 200	70 - 200	70 - 200	70 - 200	70 - 200
Tank capacity (l)	0 - 235	0 - 235	0 - 235	0 - 235	0 - 235
Slewing angle (°)	415	415	415	415	415
Max slope viable at full capacity (°)	5	5	5	5	5
Slewing torque, gross (kNm)	16,4	16,4	16,4	16,4	16,4
Slewing speed 80 (°/s)	15	15	15	15	15
Slewing speed (°/s)	15	15	15	15	15
Lifting speed at standard hydraulic outreach (m/s)	0,8	1,4	1,8	1,5	1,8
Height in folded position (mm)	2 238	2 238	2 238	2 261	2 261
Width in folded position (mm)	2 374	2 440	2 498	2 402	2 480
Install space required with hose and pipe kit (mm)	1 030	1 020	1 018	1 030	1 030
Crane in standard version without stabiliser system (kg)	1 390	1 520	1 630	1 870	1 980
Frame attachments (kg)	32 - 65	32 - 65	32 - 65	32 - 65	32 - 65
Stabiliser system (kg)	244 - 385	244 - 385	244 - 385	244 - 385	244 - 385

This table show one example of a model, and represents some of all options available. With the opportunity to configure your crane, we can provide you with a crane perfectly tailored to your needs.
Please contact your local dealer for more information and the exact data on the variety of options we can offer.

Hiab X-CLX 148 B-3





Atlas Polar
IT'S ALL ABOUT QUALITY™

Atlas Polar Company Ltd.
60 Northline Road
Toronto, ON M4B 3E5
Canada
1-888-799-4422
info@atlaspolar.com
www.atlaspolar.com