

HIAB X-CLX 102



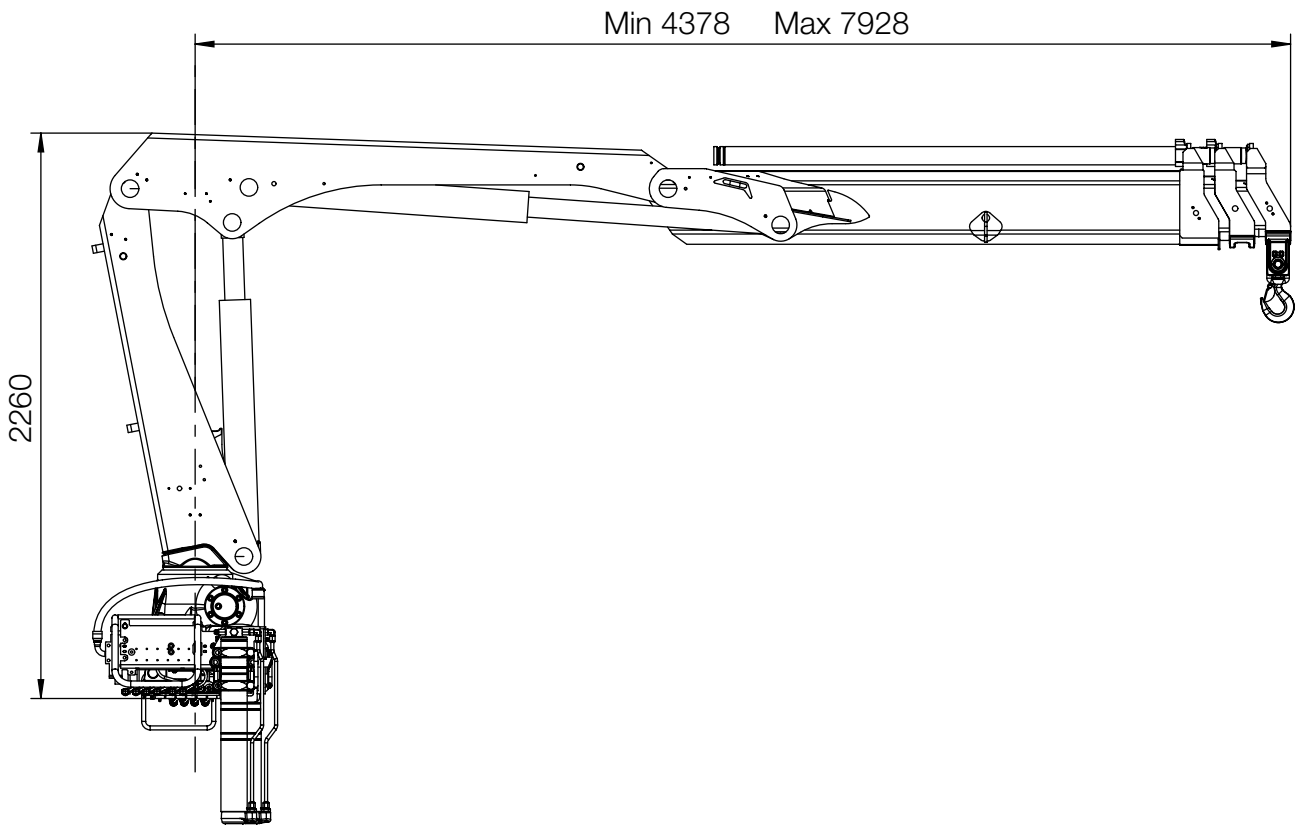
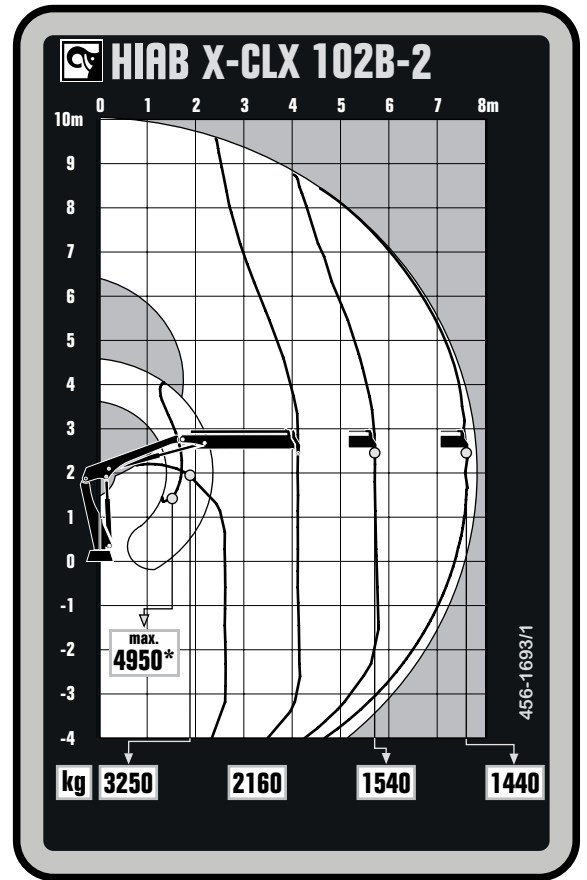
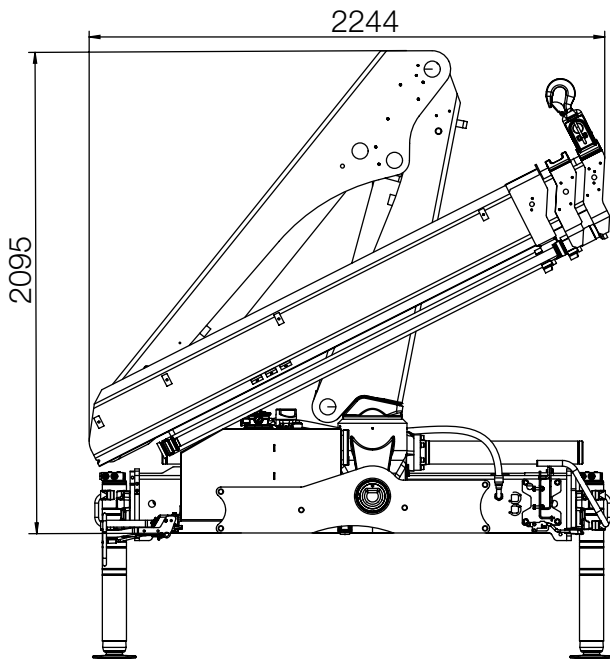
HIAB X-CLX 102 BASIC DATA

TECHNICAL DATA	X-CLX 102 B-2	X-CLX 102 E-4	X-CLX 102 E-5
Mdyn	121 kNm	131 kNm	131 kNm
Lifting capacity (kNm)	87	81	78
Lifting capacity (tm)	8.9	8.3	8.0
Outreach - lifting capacity, standard (m-kg)	2.7 - 3 250 4.1 - 2 160 5.7 - 1 540 7.6 - 1 140	2.5 - 3 400 4.4 - 1 880 6.0 - 1 300 7.9 - 920 9.9 - 700 12.0 - 580	2.6 - 3 150 4.5 - 1 760 6.1 - 1 180 8.0 - 820 10.0 - 600 12.1 - 470 14.2 - 390
Outreach - lifting capacity, manual extensions (m-kg)	9.5 - 860 11.6 - 660	14.1 - 440	
Hydraulic outreach, standard (m)	7.8	12.1	14.3
Hydraulic boom extension (m)	3.6	7.8	9.9
Outreach, manual extensions (m)	11.9	14.2	-
Lifting height above installation level, hydr/man (m)	10.1 / 14.2	14.4 / 16.6	16.6 / -
Rec. oil flow (l/min)	45 - 50	45 - 50	45 - 50
Working pressure (Mpa)	29.0	29.0	29.0
Oil in tank (l)	50 - 100	50 - 100	50 - 100
Tank capacity (l)	0 - 120	0 - 120	0 - 120
Slewing angle (°)	406	406	406
Max slope viable at full capacity (°)	6	5	5
Slewing torque, gross (kNm)	10.7	10.7	10.7
Slewing speed (°/s)	15	15	15
Lifting speed at standard hydraulic outreach (m/s)	1.1	1.7	2
Height in folded position (mm)	2 100	2 100	2 100
Width in folded position (mm)	2 225	2 300	2 400
Install space required. Rotation area not included (mm)	815	850	933
Crane in standard version without stabiliser system (kg)	1 140	1 480	1 580
Frame attachments (kg)	13 - 39	13 - 39	13 - 39
Stabiliser system equipment (kg)	156 - 303	156 - 303	156 - 303

This table show one example of a model, and represents some of all options available. With the opportunity to configure your crane, we can provide you with a crane perfectly tailored to your needs.

Please contact your local dealer for more information and the exact data on the variety of options we can offer.

Hiab X-CLX 102 B-2





Atlas Polar
IT'S ALL ABOUT QUALITY™

Atlas Polar Company Ltd.
60 Northline Road
Toronto, ON M4B 3E5
Canada
1-888-799-4422
info@atlaspolar.com
www.atlaspolar.com