

# HIAB X-CLX 058



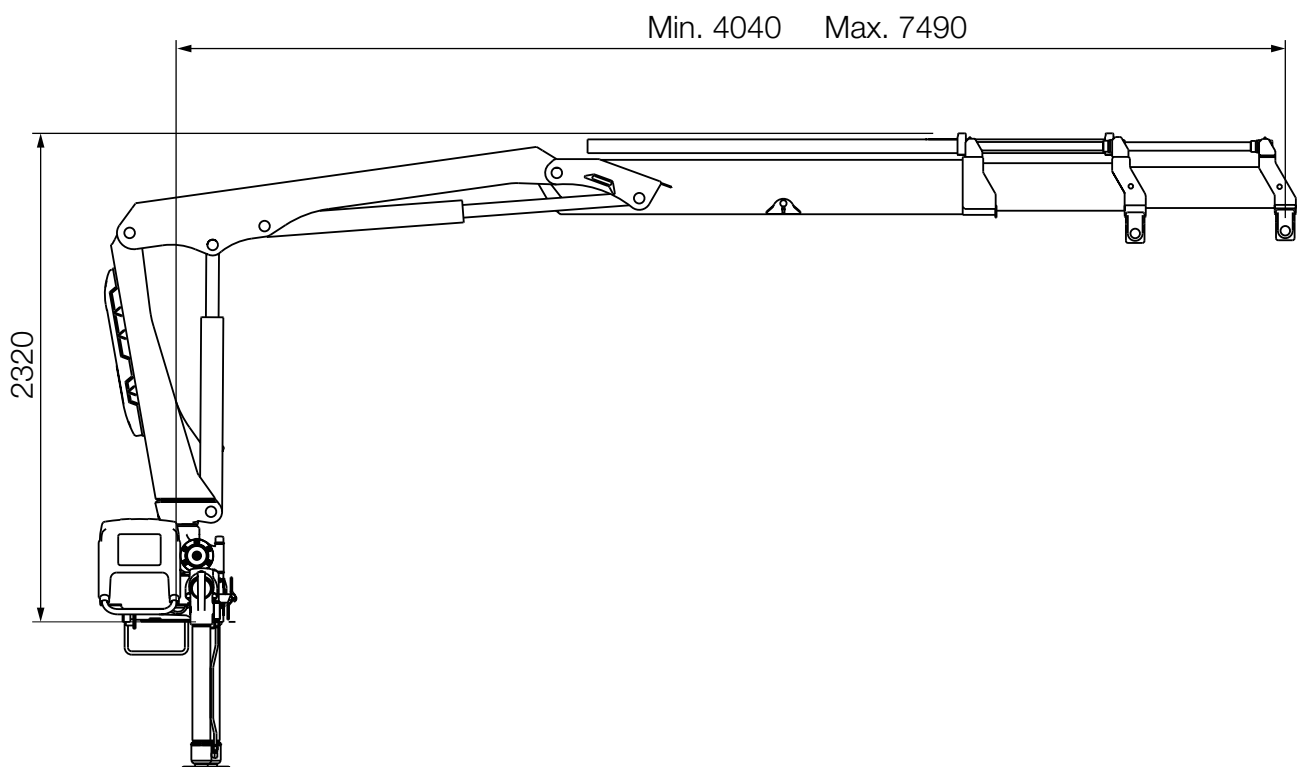
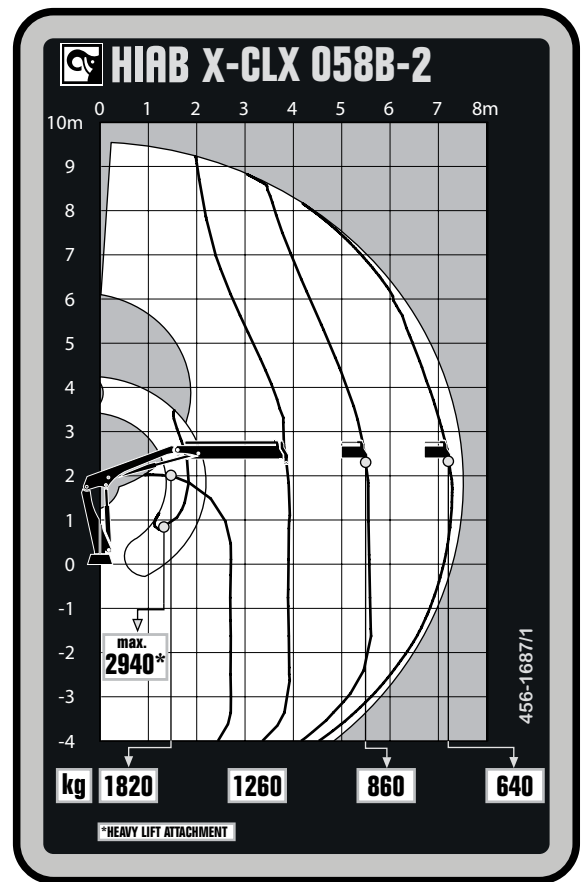
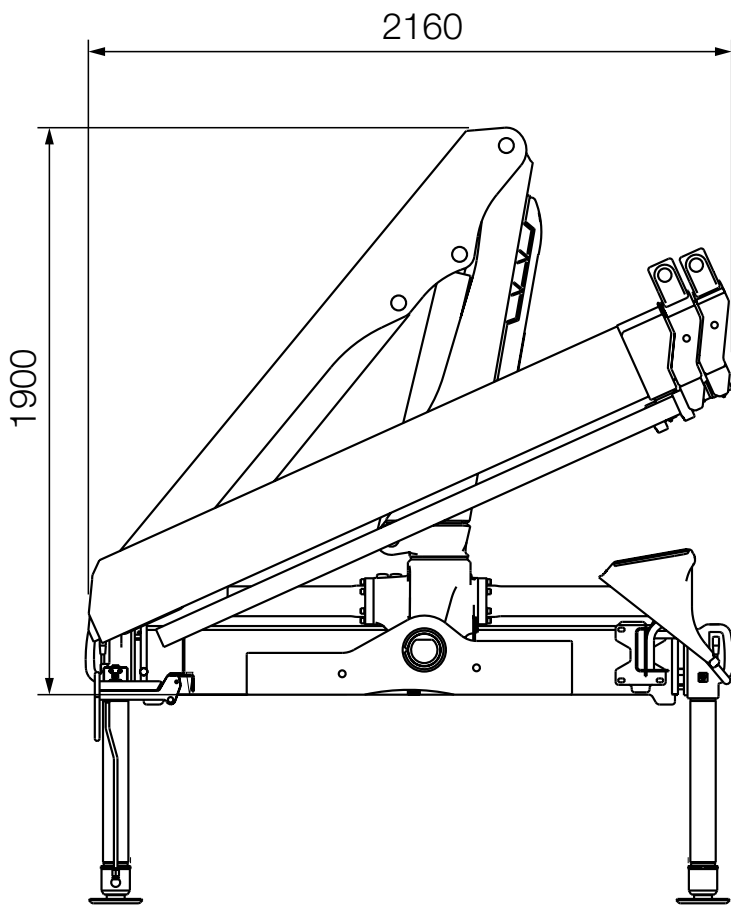
# HIAB X-CLX 058 BASIC DATA

| TECHNICAL DATA   | X-CLX 058B-1                            | X-CLX 058B-2  | X-CLX 058D-2   | X-CLX 058D-4  |
|--|---|---|--|---|
| Lifting capacity (kNm)                                   | 48                                      | 45  | 47   | 43  |
| Lifting capacity (tm)                                    | 4.9                                     | 4.6   | 4.8  | 4.4   |
| Outreach - lifting capacity, standard (m-kg)             | 2.3 - 2 180<br>3.8 - 1 340<br>5.4 - 940 | 2.7 - 1 820<br>3.8 - 1260<br>5.4 - 860<br>7.2 - 640 | 2.5 - 1 940<br>3.9 - 1 260<br>5.4 - 880<br>7.2 - 660 | 3.1 - 1 440<br>4.1 - 1 080<br>5.6 - 740<br>7.4 - 520<br>9.4 - 380<br>11.3 - 310 |
| Outreach - lifting capacity, manual extensions (m-kg)    | 7.2 - 640<br>9.1 - 460                  | 9.1 - 440   | 9.3 - 460<br>11.2 - 350                              | -   |
| Hydraulic outreach, standard (m)                         | 5.3                                     | 7.3   | 7.3  | 11.3  |
| Hydraulic boom extension (m)                             | 1.7                                     | 3.5   | 3.5  | 7.3   |
| Outreach, manual extensions (m)                          | 9.3                                     | 9.3   | 11.3   | -   |
| Lifting height above installation level, hydr/man (m)    | 7.7 / 0.0                               | 9.6 / 0.0   | 9.4 / 0.0  | 13.5 / 0.0  |
| Rec. oil flow (l/min)                                    | 25 - 30                                 | 25 - 30   | 25 - 30  | 25 - 30   |
| Working pressure (Mpa)                                   | 24                                      | 24  | 24   | 24  |
| Oil in tank (l)  | 35 - 65                                 | 35 - 65   | 35 - 65  | 35 - 65   |
| Tank capacity (l)  | 40 - 75                                 | 40 - 75   | 40 - 75  | 40 - 75   |
| Slewing angle (°)  | 410                                     | 410   | 410  | 410   |
| Max slope viable at full capacity (°)                    | 5                                       | 5   | 5  | 5   |
| Slewing torque, gross (kNm)                              | 7.7                                     | 7.7   | 7.7  | 7.7   |
| Slewing speed (°/s)                                      | 15                                      | 15  | 15   | 15  |
| Lifting speed at standard hydraulic outreach (m/s)       | 1.0                                     | 1.4   | 1.3  | 2.1   |
| Height in folded position (mm)                           | 1 900                                   | 1 900   | 1 900  | 1 900   |
| Width in folded position (mm)                            | 2 075                                   | 2 160   | 2 015  | 2 170   |
| Install space required with hose and pipe kit (mm)       | 655                                     | 655   | 655  | 655   |
| Crane in standard version without stabiliser system (kg) | 730                                     | 810   | 820  | 950   |
| Frame attachments (kg)                                   | 28 - 30                                 | 28 - 30   | 28 - 30  | 28 - 30   |
| Stabiliser system equipment (kg)                         | 105 - 160                               | 105 - 160   | 105 - 160  | 105 - 160   |

This table show one example of a model, and represents some of all options available. With the opportunity to configure your crane, we can provide you with a crane perfectly tailored to your needs.

Please contact your local dealer for more information and the exact data on the variety of options we can offer.

Hiab X-CLX 058 B-2





**Atlas Polar**  
IT'S ALL ABOUT QUALITY™

Atlas Polar Company Ltd.  
60 Northline Road  
Toronto, ON M4B 3E5  
Canada  
**1-888-799-4422**  
info@atlaspolar.com  
www.atlaspolar.com