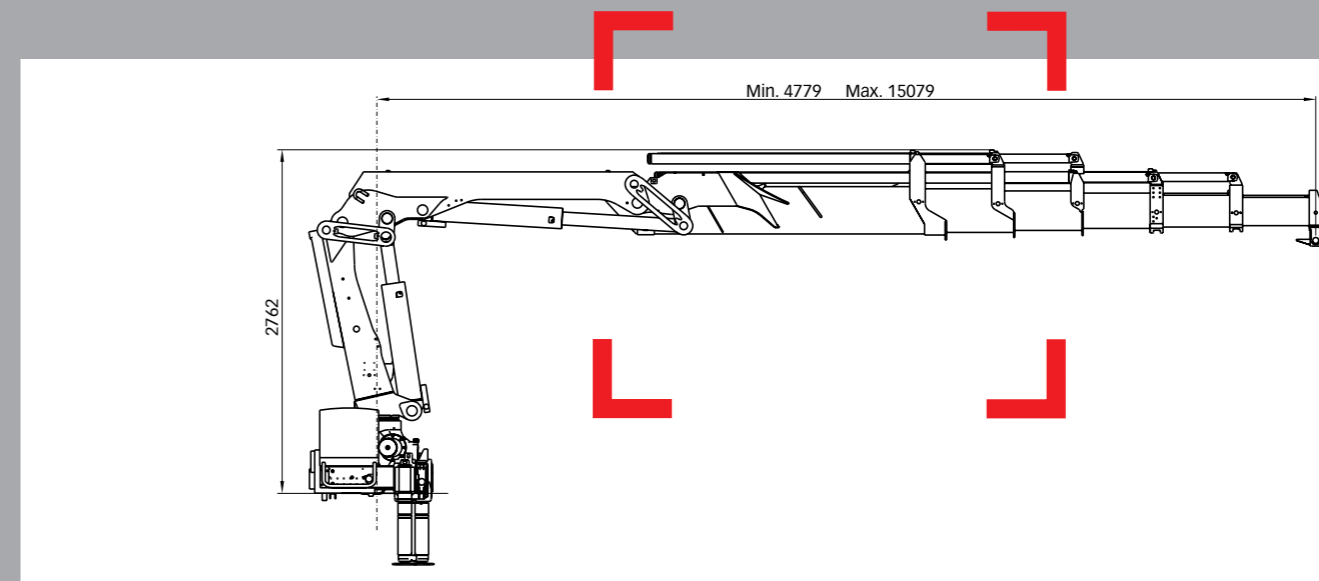
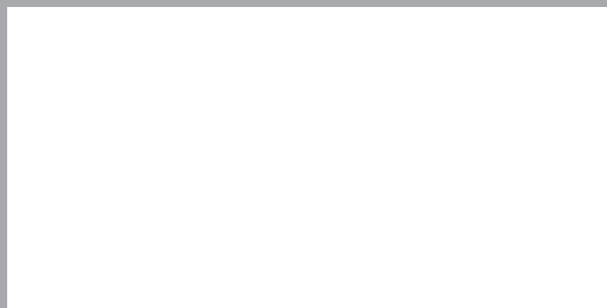


HIAB XS 166 Range 13-17 tm



Basic data

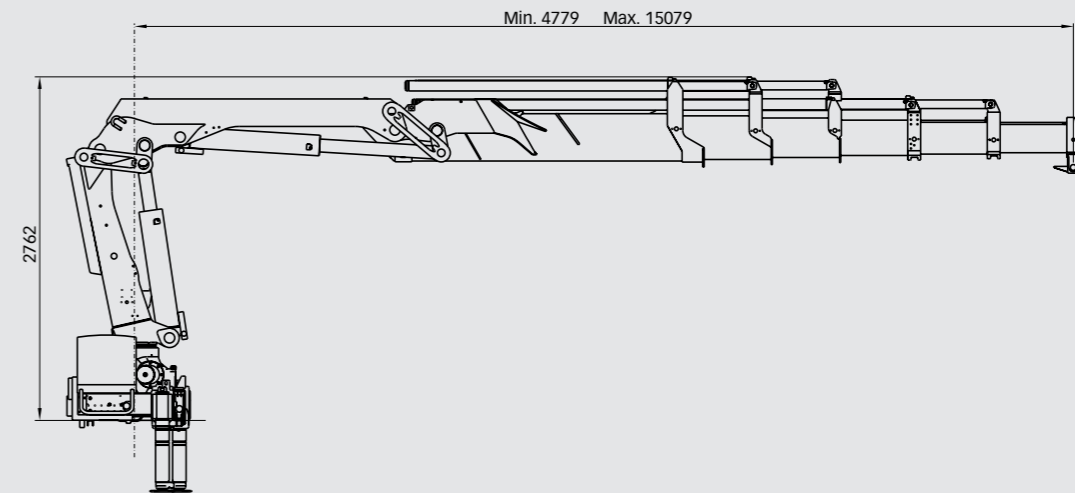


HIAB XS 166 Basic data

Technical data

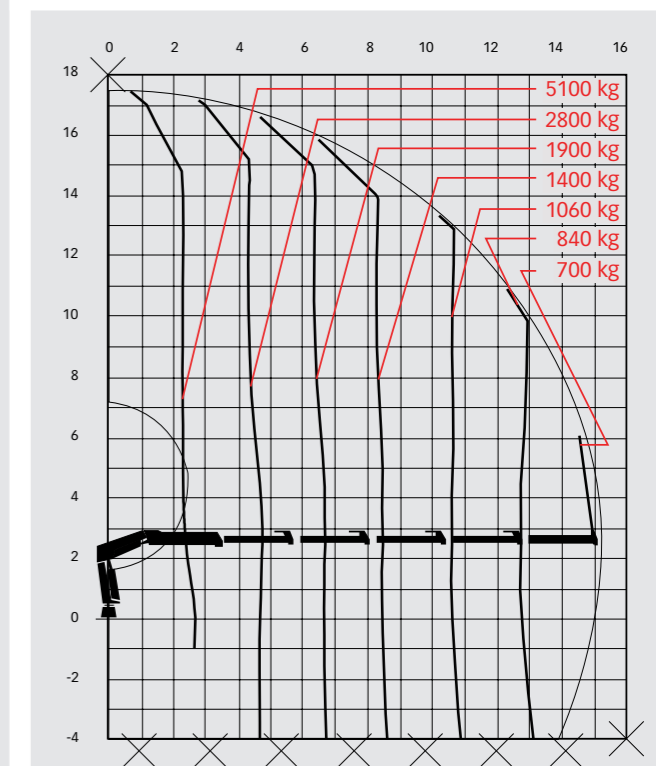
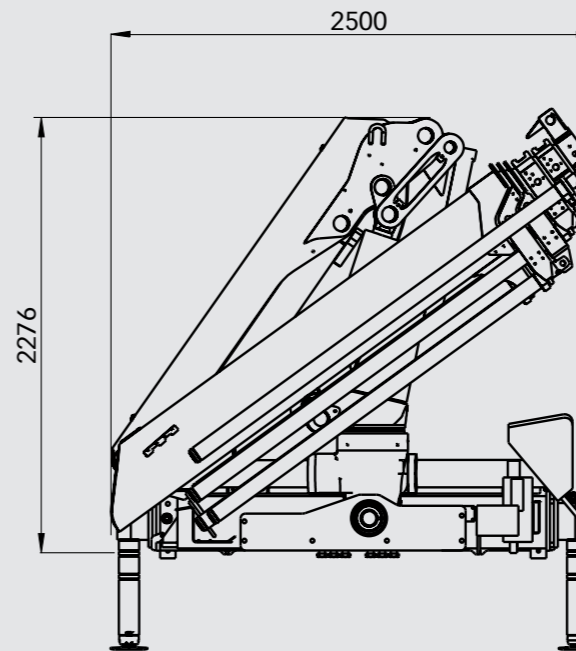
	B-1 CL	B-2 CL	B-3 CL	E-4 CL	E-5 CL
Max. lifting capacity (kNm)	156	147	143	138	132
Outreach - hydraulic extensions (m)	6.3	8.4	10.6	12.8	15.1
Outreach - manual extensions (m)	12.8	12.8	12.8	17.4	17.4
Outreach / Lifting capacity, standard (m / kg)	3.0 / 5300	3.0 / 5000	3.1 / 4700	2.6 / 5400	2.6 / 5100
	4.4 / 3600	4.4 / 3400	4.5 / 3200	4.6 / 3000	4.8 / 2800
	6.1 / 2500	6.2 / 2400	6.3 / 2200	6.4 / 2000	6.6 / 1900
	-	8.1 / 1800	8.2 / 1660	8.4 / 1500	8.5 / 1400
	-	-	10.3 / 1300	10.4 / 1180	10.6 / 1060
	-	-	-	12.6 / 960	12.8 / 840
	-	-	-	-	15.0 / 700
Slewing angle	406°	406°	406°	406°	406°
Height in folded position (mm)	2208	2208	2208	2232	2276
Width in folded position (mm)	2500	2500	2500	2500	2500
Installation space needed (mm)	953	953	966	953	962
Weight - "standard" crane without stabilizers (kg)	1620	1750	1870	2160	2270
Weight - stabilizer equipment (kg)	255 - 395	255 - 395	255 - 395	255 - 395	255 - 395

HIAB XS 166 E-5 CL



Technical data

	B-1 CL	B-2 CL	B-3 CL	E-3 CL	E-4 CL
Max. lifting capacity (ft-lbs)	115040	108530	105420	101590	97240
Outreach - hydraulic extensions	20'8"	27'7"	34'9"	42'0"	49'6"
Outreach - manual extensions	42'0"	42'0"	42'0"	57'1"	57'1"
Outreach / Lifting capacity, standard (ft - lbs)	9'10" - 11680	9'10" - 11020	10'2" - 10360	8'6" - 11680	8'6" - 11240
	14'5" - 7940	14'5" - 7500	14'9" - 7050	15'1" - 6610	15'9" - 6170
	20'0" - 5510	20'4" - 5290	20'8" - 4850	21'0" - 4410	21'8" - 4190
	-	26'7" - 3970	26'11" - 3660	27'7" - 3310	27'11" - 3090
	-	-	33'10" - 2870	34'1" - 2600	34'9" - 2340
	-	-	-	41'4" - 2120	42'0" - 1850
	-	-	-	-	49'3" - 1540
Slewing angle	406°	406°	406°	406°	406°
Height in folded position	87"	87"	87"	88"	90"
Width in folded position	98"	98"	98"	98"	98"
Installation space needed	38"	38"	38"	38"	38"
Weight - "standard" crane without stabilizers (lbs)	3570	3860	4120	4760	5000
Weight - stabilizer equipment (lbs)	560 - 870	560 - 870	560 - 870	560 - 870	560 - 870



Disclaimer

Hiab cranes have been built to meet the highest standards of safety and service life and have been thoroughly tested. Strength calculations for this model have been carried out in accordance with EN13001. Hiab's certified Quality Assurance System complies with the ISO 9001. Some of the items in our literature may be extra equipment. Certain applications may require an official permit. We reserve the right to change technical specifications without prior notice. Hiab cranes produced for EU-countries are CE-marked and comply with the European Standard EN 12999.