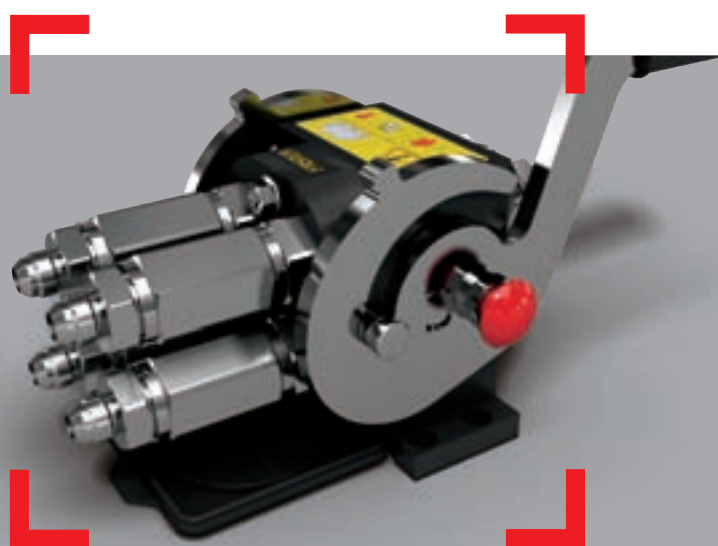


HIAB MultiCoupling



Sales guide for ordering

About this type of brochure

This brochure is focused on finding the right ordering number in your daily sales work. The first section contains a brief explanation of the part, or package of parts. The latter section contains ordering numbers matched to a specific configuration of your customers Hiab crane. So, simply locate your customers crane configuration on the following pages, identify the matching order number, then order the part, or package of parts, in the appropriate way.

Item pre



> Mobile part

The mobile part (male connection) of the MultiCoupling is fitted to the hydraulic accessory you want to connect to your crane. Use one for each accessory – for quicker, cleaner and safer changes.



> Fixed part

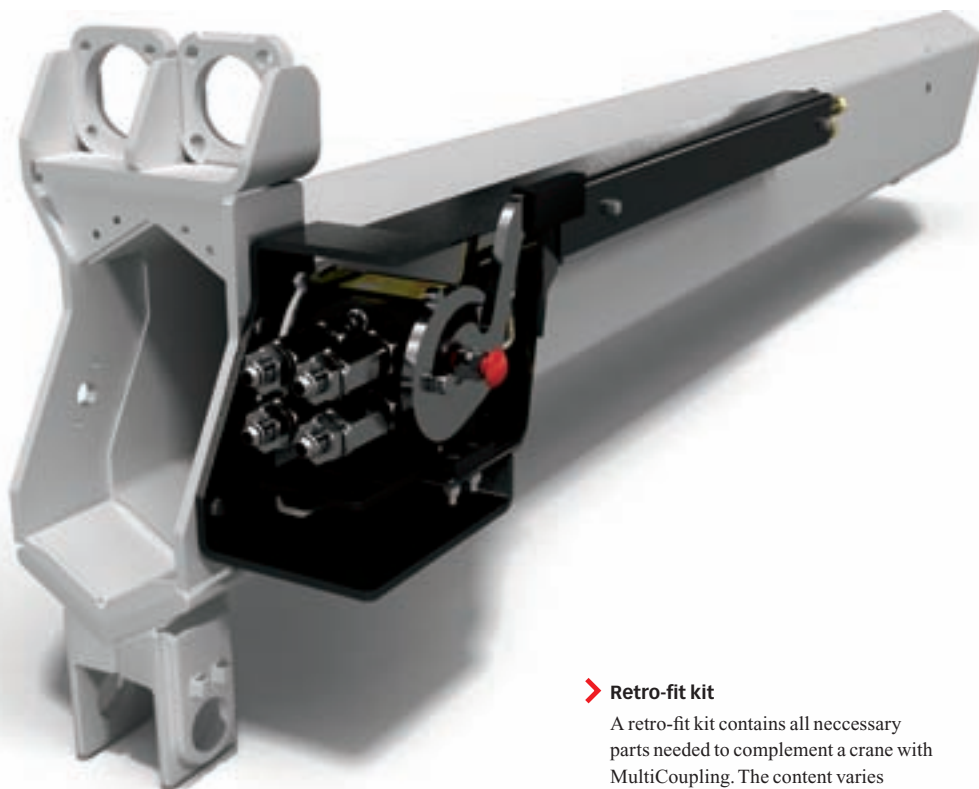
The fixed part (female connection) of the MultiCoupling is fitted onto the crane's hydraulic circuit. To this you connect the mobile parts, placed on hydraulic accessories.



> Connect multiple hydraulic lines simultaneously

The MultiCoupling package provides a relatively inexpensive solution for connecting hydraulic accessories to the crane. The MultiCoupling package consists of a fixed part (female connection) and a mobile part (male connection). By connecting the fixed part onto the crane's hydraulic circuit, and the mobile part onto the accessories' input hoses, you can connect several hydraulic lines in one, simple, operation. Reference pins ensure perfect line alignment and an automatic safety lock safeguards against unintentional disconnection. The release handle has a safety lock, a red push button, that can be fitted on either side of the handle.

These features make it possible to switch accessories safely, even under full working pressure. All-in-all MultiCoupling provides a clean, relatively inexpensive and easy way of switching accessories.



> Retro-fit kit

A retro-fit kit contains all necessary parts needed to complement a crane with MultiCoupling. The content varies depending on the crane.

> MultiCoupling - for

	Boom tip to accessory	Boom tip to accessory	Boom tip to jib	Vehicle to crane
Package (part no.)*	987 4445	987 0555	339 0951	987 4470
Mobile part (part no.)	987 4461	987 0571	339 0977	987 4496
Max. oil flow (l/min)	40	70	70	150
Max. oil pressure (MPa)	35	35	35	35
Total number of ports	4	4	8	4
Number of pressure ports	2 (size 3/8")	2 (size 1/2")	4 (size 1/2")	1 (size 1")
Number of return ports	2 (size 3/8")	2 (size 1/2")	4 (size 1/2")	1 (size 1")
Number of drainage/pilot ports	0	0	0	1 (size 1/2")
Number of electric ports	0	0	0	1 (7 poles, max. 13A)

Disclaimer
We reserve the right to amend specifications without prior notice.

* Package consists of Fixed part, Mobile part.



< MultiCoupling 150 l/min

Besides connecting hydraulic crane accessories, you can also supply stationary mounted cranes (disconnected from the truck) with oil pressure via a MultiCoupling. The 150 l/min model required in this load handling solution features an extra hydraulic and electrical connection.

HIAB MultiCoupling For range 055-166

> MultiCoupling - for HIAB XS 055-111

	055-111 -1 Hose reel	055-111 -2 Hose reel	055-111 -3 Hose reel	055-111 -4 Hose reel	088-111 -5 Hose reel
<i>Retro-fit kit - for Accessories (part no.)*</i>	338 4438	338 4438	338 4438	338 4438	338 4438
<i>Retro-fit kit - for Accessories (part no.)**</i>	338 2303	338 2303	338 2303	338 2303	338 2303
Extra built-in space (mm)	40	30	20	0	0

* Package consists of: MultiCoupling 40 l/min Fixed part, Mobile part, Brackets.
 ** Package consists of: MultiCoupling 70 l/min Fixed part, Mobile part, Brackets.

> MultiCoupling - for HIAB XS 055-111

	055-111 -1 S-shaped	055-099 -2 S-shaped	111 B-2 S-shaped	111 E-2 S-shaped	077-111 -3 S-shaped
<i>Retro-fit kit - for Accessories (part no.)*</i>	338 4446	338 4454	338 4462	338 4471	338 4489
<i>Retro-fit kit - for Accessories (part no.)**</i>	338 3482	338 3491	338 3504	338 3512	338 3521
Extra built-in space (mm)	65	65	65	65	65

* Package consists of: MultiCoupling 40 l/min Fixed part, Mobile part, Brackets.
 ** Package consists of: MultiCoupling 70 l/min Fixed part, Mobile part, Brackets.

> MultiCoupling - for HIAB XS 122-166

	122,144,166 -1 Hose reel	122,144,166 -2 Hose reel	122,144,166 -3 Hose reel	122,144,166 -3 Hose reel (High)	122,144,166 -4 Hose reel
<i>Retro-fit kit - for Accessories (part no.)*</i>	381 6559	381 6559	381 6559	381 6559	381 6559
<i>Retro-fit kit - for Accessories (part no.)**</i>	380 8939	380 8939	380 8939	380 8939	380 8939
Extra built-in space (mm)	45	35	10	20	10

* Package consists of: MultiCoupling 40 l/min Fixed part, Mobile part, Brackets.
 ** Package consists of: MultiCoupling 70 l/min Fixed part, Mobile part, Brackets.

Disclaimer

We reserve the right to amend specifications without prior notice.

> MultiCoupling - for HIAB XS 122-166	122 -5	144, 166 -5
	Hose reel	Hose reel
<i>Retro-fit kit - for Accessories (part no.)*</i>	381 6567	381 6559
<i>Retro-fit kit - for Accessories (part no.)**</i>	380 8971	380 8939
Extra built-in space (mm)	0	0

* Package consists of: MultiCoupling 40 l/min Fixed part, Mobile part, Brackets.

** Package consists of: MultiCoupling 70 l/min Fixed part, Mobile part, Brackets.

> MultiCoupling - for HIAB XS 122-166	122,144,166 -1	122,144,166 -2	122,144,166 -2	122,144,166 -3	122,144,166 -3
	S-shaped	S-shaped	S-shaped (OS)	S-shaped	S-shaped (High)
<i>Retro-fit kit - for Accessories (part no.)*</i>	381 6575	381 6575	381 6583	381 6591	381 6591
<i>Retro-fit kit - for Accessories (part no.)**</i>	380 8947	380 8947	380 8980	381 4408	381 4408
Extra built-in space (mm)	25	25	5	5	5

* Package consists of: MultiCoupling 40 l/min Fixed part, Mobile part, Brackets.

** Package consists of: MultiCoupling 70 l/min Fixed part, Mobile part, Brackets.

> MultiCoupling - for HIAB XS 122-166	122,144,166 -4	122,144,166 -4	122,144,166 -5
	S-shaped	S-shaped (OS)	S-shaped
<i>Retro-fit kit - for Accessories (part no.)*</i>	381 6591	381 6583	381 6591
<i>Retro-fit kit - for Accessories (part no.)**</i>	381 4408	380 8980	381 4408
Extra built-in space (mm)	5	5	5

* Package consists of: MultiCoupling 40 l/min Fixed part, Mobile part, Brackets.

** Package consists of: MultiCoupling 70 l/min Fixed part, Mobile part, Brackets.

HIAB MultiCoupling For range 175-377

	MultiCoupling - for HIAB 175-220				
	175-220 -1 Hose reel	175-220 -2 Hose reel	175-220 -3 Hose reel	175-220 -4 Hose reel	175-220 -5 Hose reel
<i>Retro-fit kit - for Accessories (part no.)*</i>	381 6605	381 6605	381 6605	381 6605	381 6605
<i>Retro-fit kit - for Accessories (part no.)**</i>	380 8955	380 8955	380 8955	380 8955	380 8955
Extra built-in space (mm)	145	140	105	85	60

* Package consists of: MultiCoupling 40 l/min Fixed part, Mobile part, Brackets.

** Package consists of: MultiCoupling 70 l/min Fixed part, Mobile part, Brackets.

	MultiCoupling - for HIAB XS 244-377			
	244,288,322,377 EP-2 Hose reel	244,288,322,377 EP-3 Hose reel	244,288,322,377 EP-4 Hose reel	244,288,322,377 EP-5 Hose reel
<i>Retro-fit kit - for Accessories (part no.)*</i>	381 6605	381 6605	381 6605	381 6605
<i>Retro-fit kit - for Accessories (part no.)**</i>	380 8955	380 8955	380 8955	380 8955
Extra built-in space (mm)	25	15	0	0

* Package consists of: MultiCoupling 40 l/min Fixed part, Mobile part, Brackets.

** Package consists of: MultiCoupling 70 l/min Fixed part, Mobile part, Brackets.

	MultiCoupling - for HIAB XS 244-377				
	244,288,322,377 E-4 Hose reel	244,288,322,377 E-5 Hose reel	244,288,322,377 E-6 Hose reel	244,288,322,377 E-7 Hose reel	244,288,322,377 E-8 Hose reel
<i>Retro-fit kit - for Accessories (part no.)*</i>	381 6605	381 6605	381 6605	381 6605	381 6605
<i>Retro-fit kit - for Accessories (part no.)**</i>	380 8955	380 8955	380 8955	380 8955	380 8955
Extra built-in space (mm)	30	15	0	0	0

* Package consists of: MultiCoupling 40 l/min Fixed part, Mobile part, Brackets.

** Package consists of: MultiCoupling 70 l/min Fixed part, Mobile part, Brackets.

Disclaimer

We reserve the right to amend specifications without prior notice.

	244,288,322,377	
	EP-2 S-shaped	EP-3 S-shaped
<i>Retro-fit kit - for Accessories (part no.)*</i>	381 6613	381 6613
<i>Retro-fit kit - for Accessories (part no.)**</i>	380 8963	380 8963
Extra built-in space (mm)	55	20

* Package consists of: MultiCoupling 40 l/min Fixed part, Mobile part, Brackets.
 ** Package consists of: MultiCoupling 70 l/min Fixed part, Mobile part, Brackets.

	244,288,322,377		
	E-4 S-shaped	E-5 S-shaped	E-6 S-shaped
<i>Retro-fit kit - for Accessories (part no.)*</i>	381 6524	381 6532	381 6541
<i>Retro-fit kit - for Accessories (part no.)**</i>	381 6427	381 6435	381 6443
Extra built-in space (mm)	0	0	0

* Package consists of: MultiCoupling 40 l/min Fixed part, Mobile part, Brackets.
 ** Package consists of: MultiCoupling 70 l/min Fixed part, Mobile part, Brackets.



Hiab is part of Cargotec Corporation

