

Hiab XS 622

Capacity 58 tm



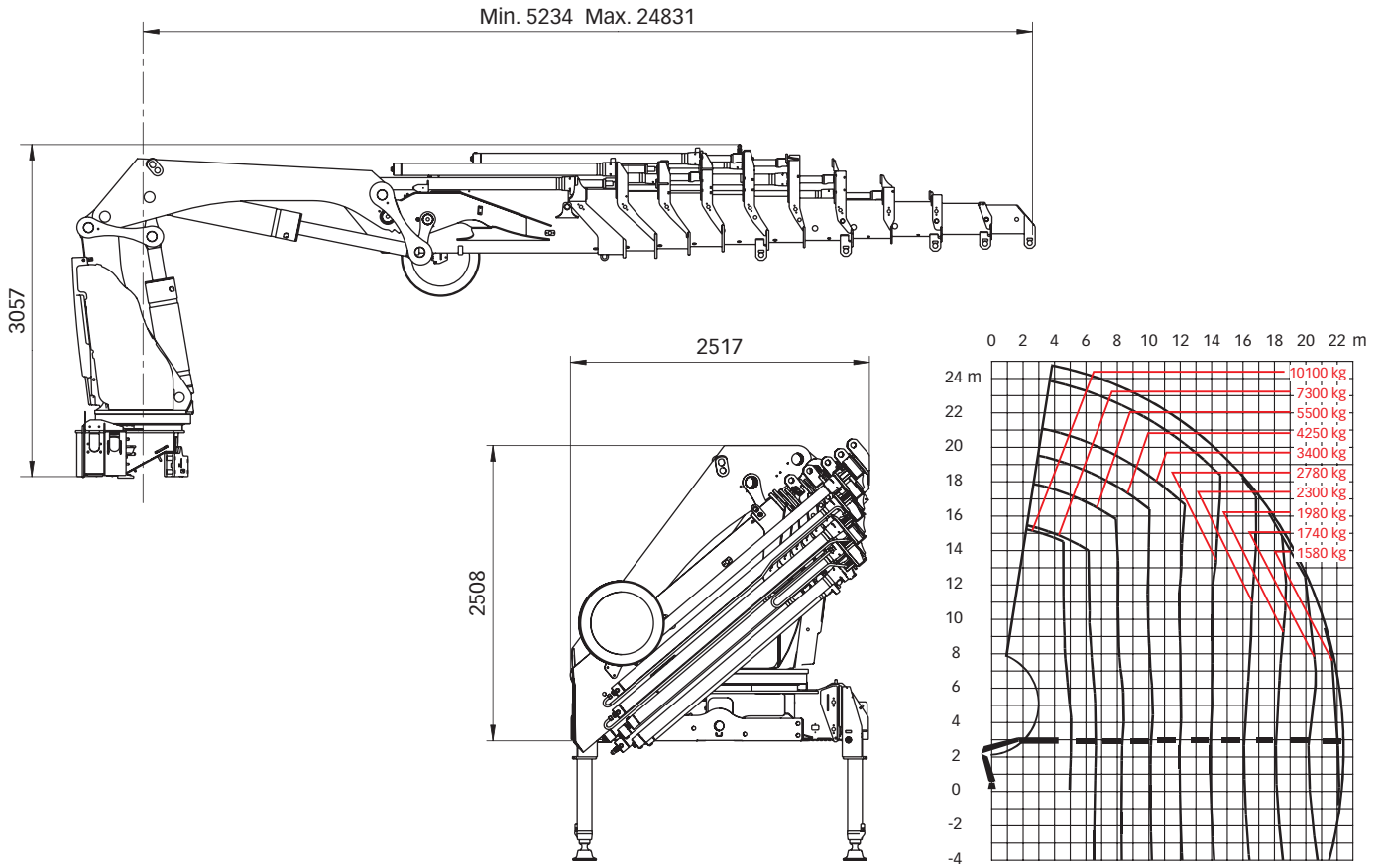
Basic data

Hiab XS 622 Basic data

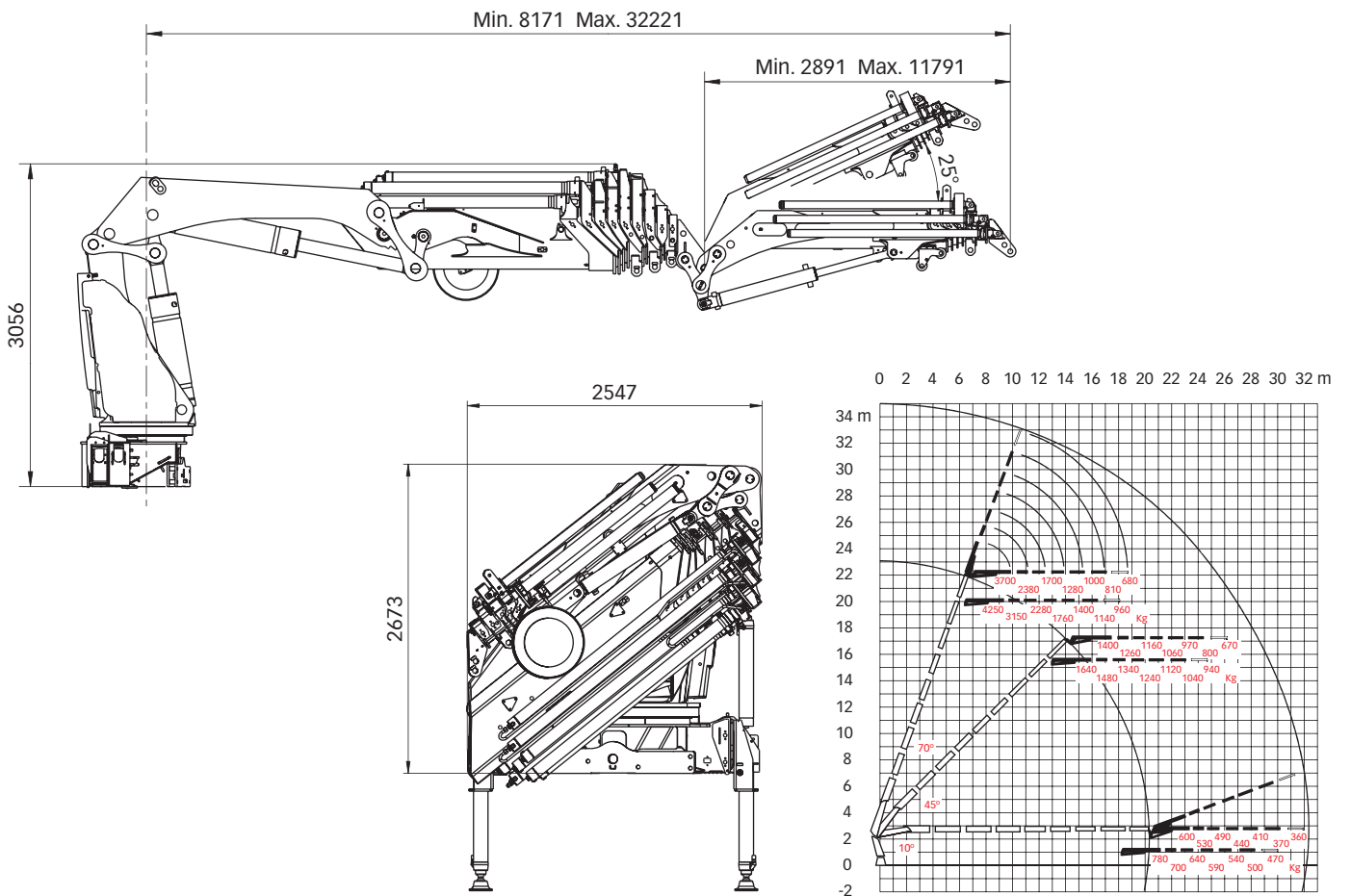
Technical data	EP-6 HiPro	E-6 HiPro	E-8 HiPro*	E-9 HiPro
Max. lifting capacity (kNm)	452	459	379	343
Outreach, hydraulic extensions (m)	16.9	15.8	20.4	22.7
Outreach, manual extensions (m)	-	-	-	25
Outreach, with jib (m)	-	28.1	32.5	-
Outreach / lifting capacity (m / kg)	5.1 / 10600	4.8 / 11300	5.0 / 10500	5.1 / 10100
	6.7 / 7800	6.4 / 8200	6.5 / 7700	6.7 / 7300
	8.6 / 5800	8.1 / 6200	8.3 / 5700	8.4 / 5500
	10.6 / 4600	9.9 / 4950	10.1 / 4450	10.2 / 4250
	12.7 / 3700	11.7 / 4100	11.9 / 3600	12.0 / 3450
	14.7 / 3150	13.7 / 3450	13.9 / 2960	14.0 / 2780
	16.9 / 2720	15.8 / 2960	15.9 / 2500	16.1 / 2320
	-	-	18.0 / 2160	18.1 / 1980
	-	-	20.0 / 1940	20.2 / 1740
	-	-	-	22.2 / 1580
Outreach / lifting capacity, manual extension (m / kg)	-	-	-	24.7 / 1000
Outreach / lifting capacity, with jib (m / kg)	-	19.1 / 1420	23.2 / 600	-
	-	20.4 / 1280	24.5 / 530	-
	-	21.7 / 1180	25.8 / 490	-
	-	23.1 / 1080	27.2 / 440	-
	-	24.6 / 1000	28.7 / 410	-
	-	26.3 / 930	30.4 / 370	-
	-	28.0 / 870	32.1 / 360	-
Slewing angle	∞	∞	∞	∞
Height in folded position, with / without jib (mm)	2580	2673 / 2500	2673 / 2508	2508
Width in folded position, with / without jib (mm)	2535	2549 / 2508	2547 / 2500	2517
Installation space needed, with / without jib (mm)	1595	1850 / 1598	1850 / 1670	1670
Weight, "standard" crane without stabilizers (kg)	5523	5600	6048	6247
Weight, jib (kg)	-	1363	1363	-
Weight, manual extension for jib (kg)	-	-	-	100
Weight, stabilizer equipment (kg)	962 - 1100	962 - 1100	962 - 1100	962 - 1100

* Jib with Dual Capacity (JDC)

Hiab XS 622 E-9 HiPro



Hiab XS 622 E-8 jib 150X-6





Atlas Polar
IT'S ALL ABOUT QUALITY™

Atlas Polar Company Ltd.
60 Northline Road
Toronto, ON M4B 3E5
Canada
1-888-799-4422
info@atlaspolar.com
www.atlaspolar.com