

# Hiab XS 477

## Range 40-44 tm

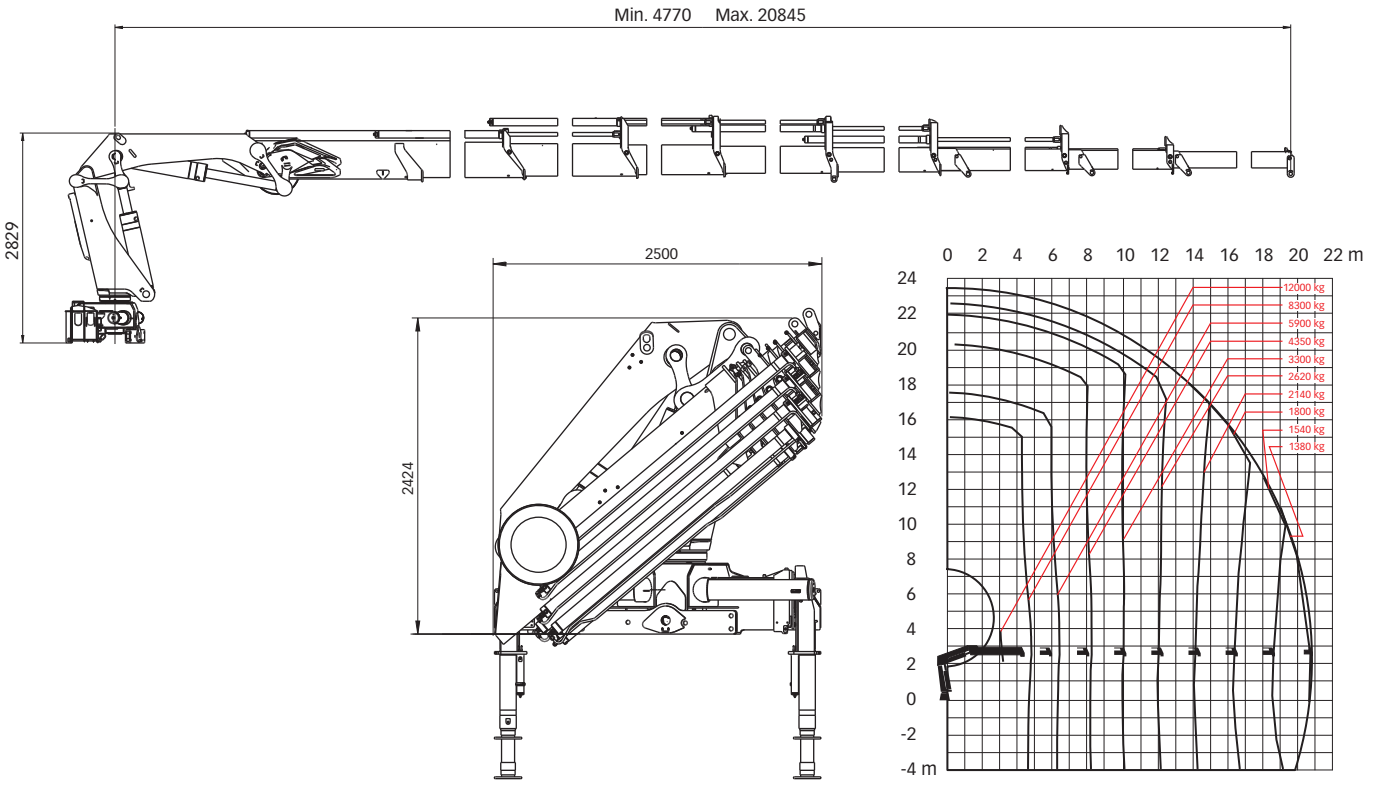


Basic data

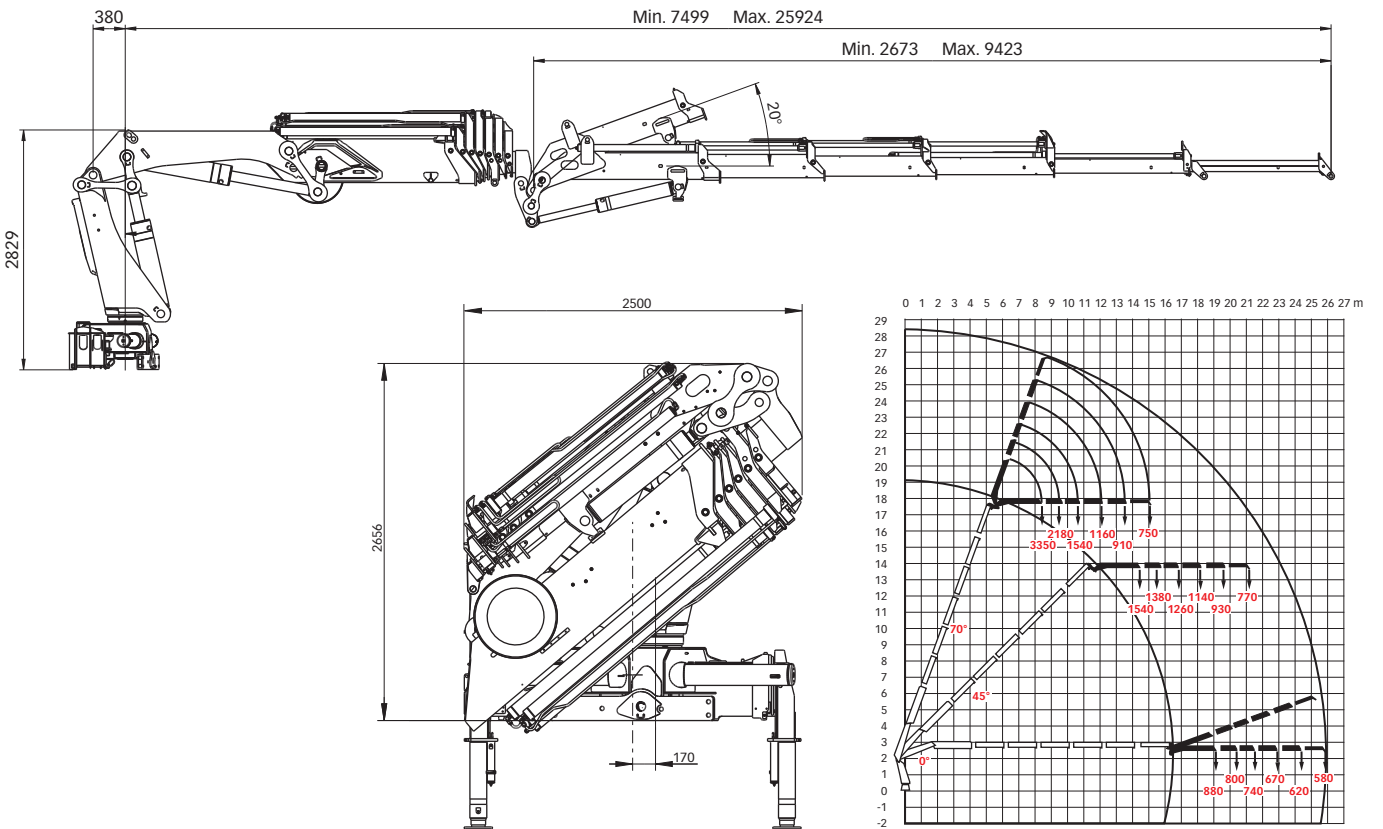
# Hiab XS 477 Basic data

<b>Technical data</b>	<b>EP-5 Duo</b>	<b>EP-5 HiDuo</b>	<b>E-6 HiPro</b>	<b>E-8 HiPro</b>
Max. lifting capacity (kNm)	348	368	370	359
Outreach - hydraulic extensions (m)	15.4	15.4	16.5	20.8
Outreach - manual extensions (m)	-	-	20.2	23.0
Outreach - Jib (m)	-	-	25.9	-
Outreach / Lifting capacity, standard (m / kg)	3.1 / 12000	3.3 / 12000	3.3 / 12000	3.2 / 12000
	4.9 / 7800	4.9 / 8300	4.9 / 8400	4.8 / 8300
	6.8 / 5500	6.8 / 5800	6.5 / 6100	6.4 / 5900
	8.8 / 4100	8.8 / 4350	8.4 / 4500	8.2 / 4350
	11.0 / 3200	11.0 / 3400	10.2 / 3550	10.1 / 3300
	13.2 / 2620	13.2 / 2800	12.2 / 2880	12.1 / 2620
	15.4 / 2240	15.4 / 2380	14.3 / 2420	14.2 / 2140
	-	-	16.5 / 2080	16.4 / 1800
	-	-	-	18.6 / 1540
	-	-	-	20.8 / 1380
Outreach / Lifting capacity, with Jib (m / kg)	-	-	19.0 / 880	-
	-	-	20.2 / 800	-
	-	-	21.4 / 740	-
	-	-	22.8 / 670	-
	-	-	24.3 / 620	-
	-	-	25,8 / 580	-
Slewing angle	400°	400°	400°	400°
Height in folded position (mm)	2503	2503	2404	2422
Width in folded position (mm)	2500	2500	2500	2500
Installation space needed (mm)	1620	1620	1575	1530
Weight - "standard" crane without stabilizers (kg)	4420	4430	4590	4890
Weight - stabilizer equipment (kg)	630 - 840	630 - 840	630 - 840	630 - 840
Weight - jib (kg)	-	-	1100	-

**Hiab XS 477 E-8 HiPro**



**Hiab XS 477 E-6 HiPro jib 100X-5**





**Atlas Polar**  
IT'S ALL ABOUT QUALITY™

Atlas Polar Company Ltd.  
60 Northline Road  
Toronto, ON M4B 3E5  
Canada  
**1-888-799-4422**  
info@atlaspolar.com  
www.atlaspolar.com