

# Hiab XS 422

## Range 34-41 tm

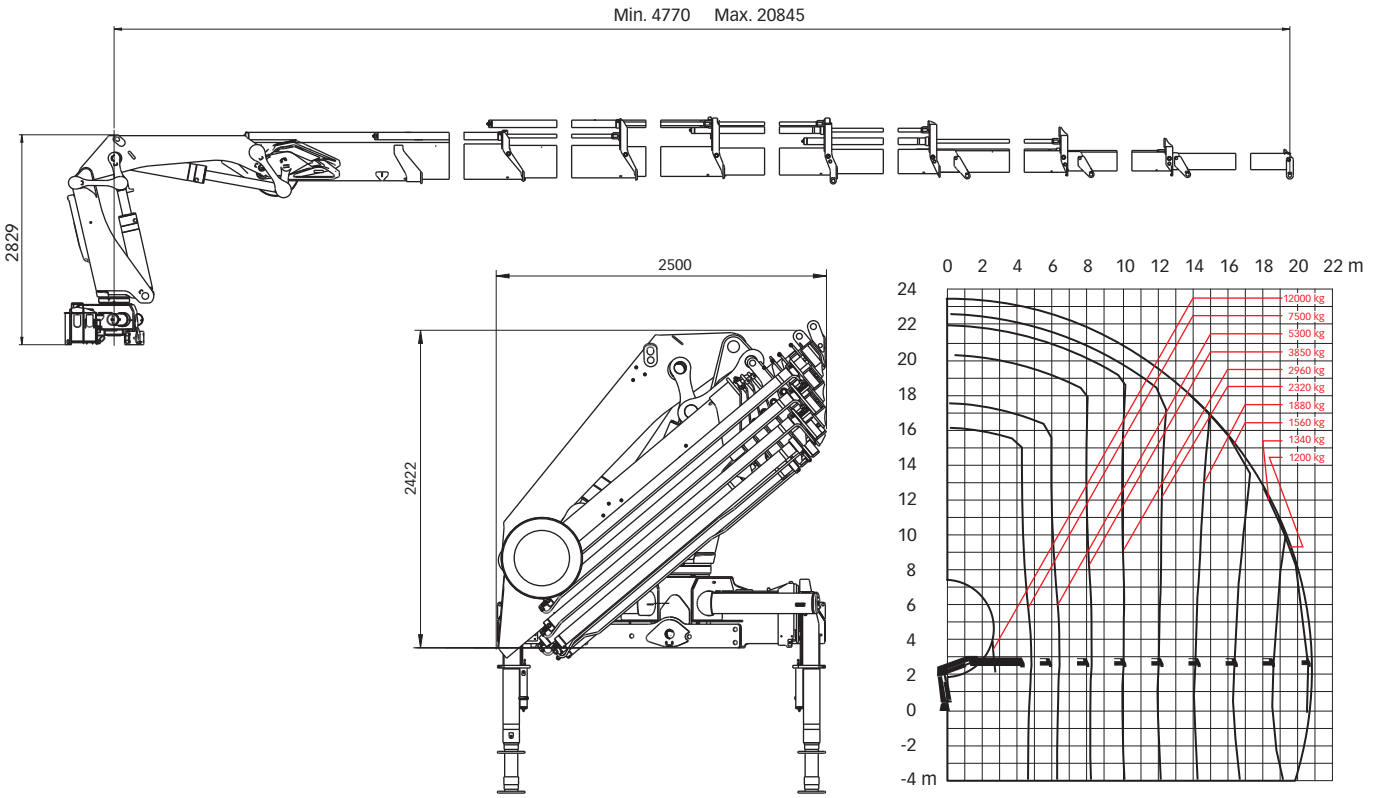


Basic data

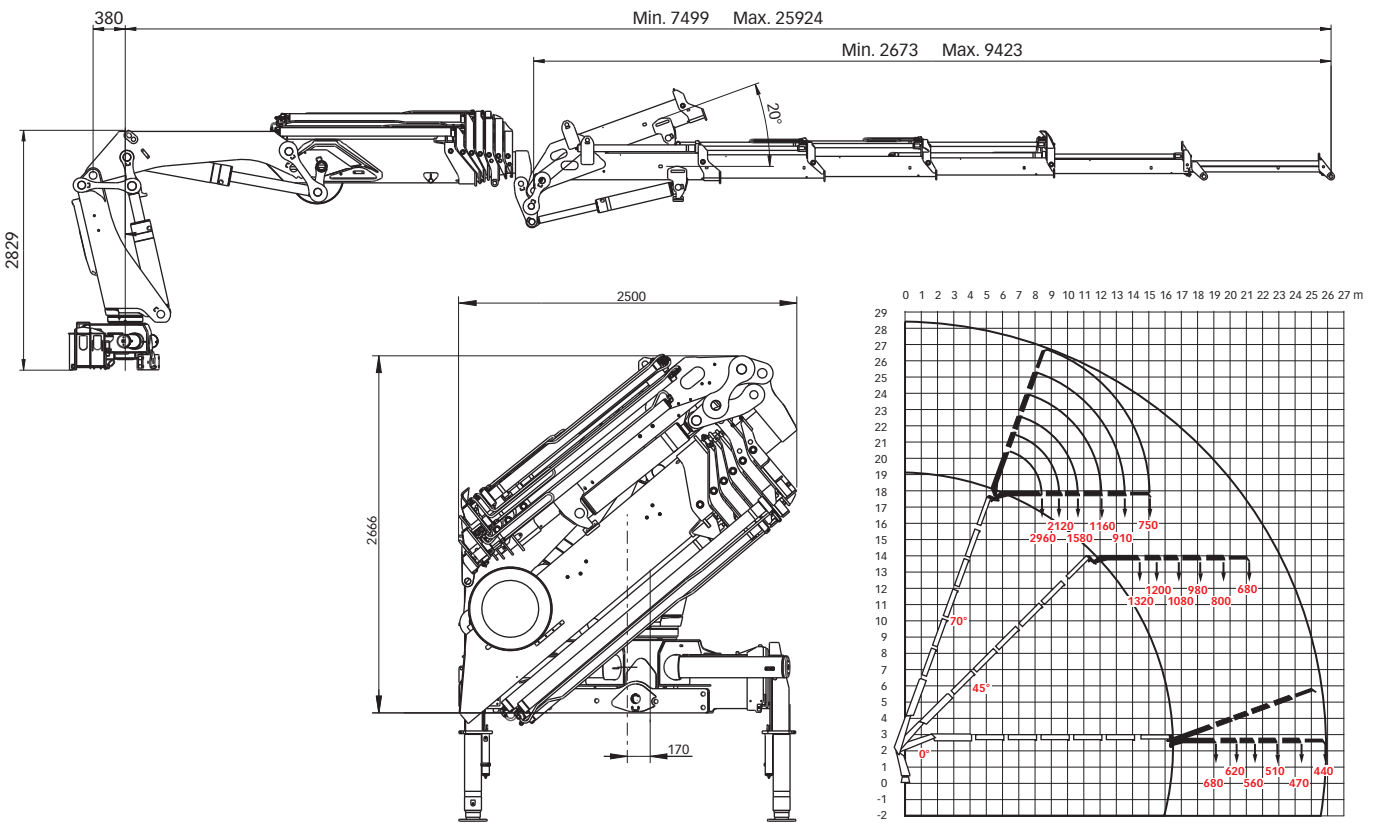
# Hiab XS 422 Basic data

<b>Technical data</b>	<b>EP-5 CL</b>	<b>EP-5 HiDuo</b>	<b>E-6 HiPro</b>	<b>E-8 HiPro</b>
Max. lifting capacity (kNm)	344	337	338	327
Outreach - hydraulic extensions (m)	15.4	15.4	16.5	20.8
Outreach - manual extensions (m)	-	-	20.2	23.0
Outreach - Jib (m)	-	-	25.9	-
Outreach / Lifting capacity, standard (m / kg)	2.8 / 12000	3.0 / 12000	3.0 / 12000	2.9 / 12000
	4.9 / 7200	4.9 / 7600	4.9 / 7600	4.8 / 7500
	6.8 / 4950	6.8 / 5300	6.5 / 5500	6.4 / 5300
	8.8 / 3700	8.8 / 3950	8.4 / 4050	8.2 / 3900
	11.0 / 2880	11.0 / 3100	10.2 / 3200	10.1 / 2960
	13.2 / 2360	13.2 / 2520	12.2 / 2580	12.1 / 2320
	15.4 / 2020	15.4 / 2160	14.3 / 2160	14.2 / 1880
	-	-	16.5 / 1840	16.4 / 1560
	-	-	-	18.6 / 1340
	-	-	-	20.8 / 1200
Outreach / Lifting capacity, with Jib (m / kg)	-	-	19.0 / 690	-
	-	-	20.2 / 620	-
	-	-	21.4 / 560	-
	-	-	22.8 / 510	-
	-	-	24.3 / 470	-
	-	-	25.8 / 440	-
Slewing angle	400°	400°	400°	400°
Height in folded position (mm)	2503	2503	2404	2422
Width in folded position (mm)	2500	2500	2500	2500
Installation space needed (mm)	1620	1620	1575	1630
Weight - "standard" crane without stabilizers (kg)	4340	4380	4540	4840
Weight - stabilizer equipment (kg)	630 - 840	630 - 840	630 - 840	630 - 840
Weight - jib (kg)	-	-	1070	-

**Hiab XS 422 E-8 HiPro**



**Hiab XS 422 E-6 HiPro jib 100X-5**





**Atlas Polar**  
IT'S ALL ABOUT QUALITY™

Atlas Polar Company Ltd.  
60 Northline Road  
Toronto, ON M4B 3E5  
Canada  
**1-888-799-4422**  
info@atlaspolar.com  
www.atlaspolar.com