

Hiab XS 377

Range 33-37 tm

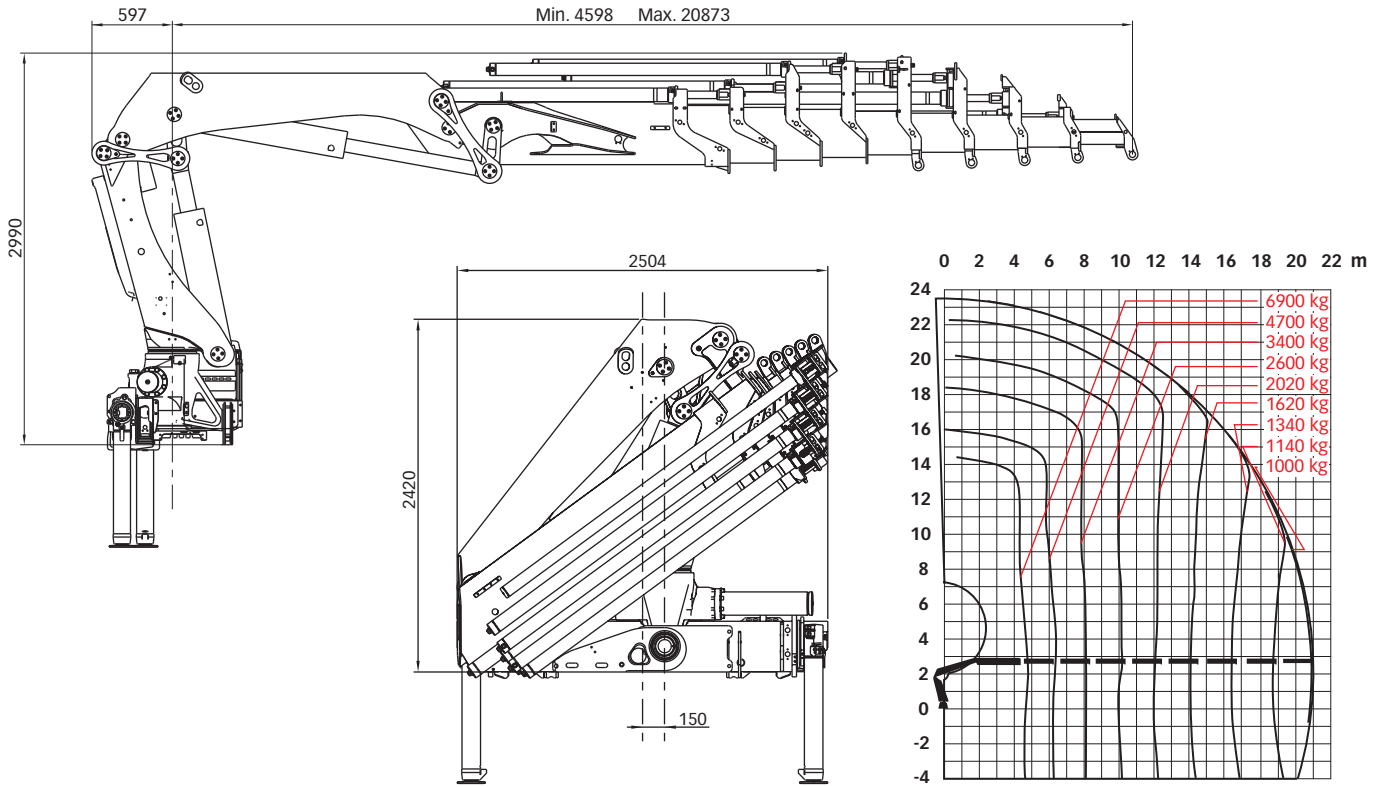


Basic data

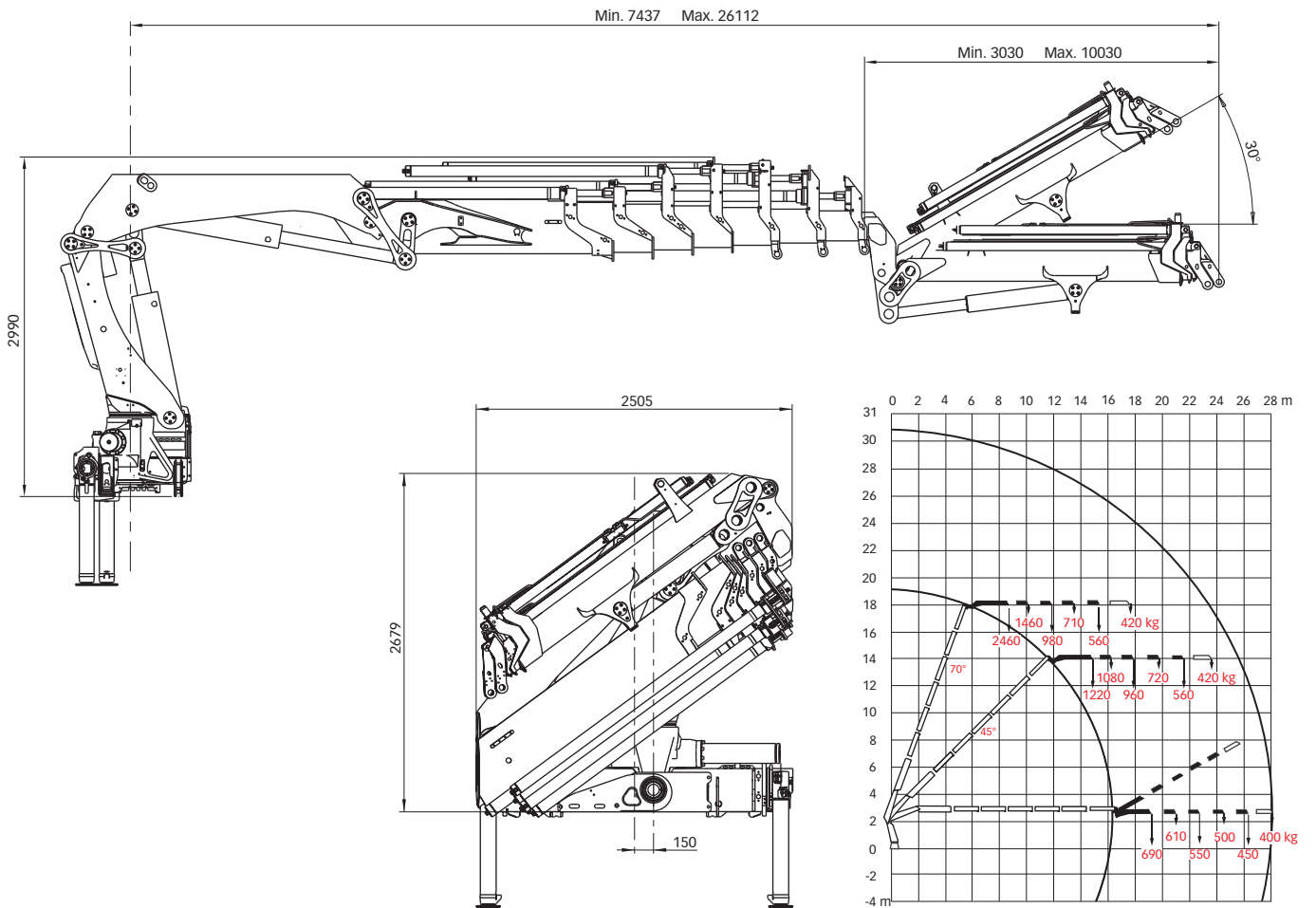
Hiab XS 377 Basic data

Technical data	EP-2 HiPro	EP-5 HiPro	E-6 HiPro	E-8 HiPro
Max. lifting capacity (kNm)	325	307	297	287
Outreach - hydraulic extensions (m)	8.0	15.0	16.1	20.9
Outreach - manual extensions (m)	12.6	17.4	20.0	22.5
Outreach - Jib (m)	-	-	26.1	-
Outreach / Lifting capacity, standard (m / kg)	3.5 / 10000	3.2 / 10000	3.2 / 10000	3.1 / 10000
	4.2 / 8500	4.4 / 7700	4.4 / 7500	4.6 / 6900
	5.9 / 6000	6.2 / 5300	6.1 / 5100	6.3 / 4700
	7.9 / 4550	8.2 / 3850	7.9 / 3750	8.1 / 3400
	-	10.4 / 2940	9.7 / 2940	9.9 / 2600
	-	12.7 / 2360	11.7 / 2360	11.9 / 2020
	-	15.0 / 1980	13.8 / 1940	14.0 / 1620
	-	-	16.0 / 1660	16.2 / 1340
	-	-	-	18.5 / 1140
	-	-	-	20.8 / 1000
Outreach / Lifting capacity, with Jib (m / kg)	-	-	19.1 / 690	-
	-	-	20.6 / 610	-
	-	-	22.3 / 550	-
	-	-	24.1 / 500	-
	-	-	26.0 / 450	-
Slewing angle	420°	420°	420°	420°
Height in folded position (mm)	2420	2420	2420	2420
Width in folded position (mm)	2502	2502	2504	2504
Installation space needed (mm)	1117	1248	1315	1275
Weight - "standard" crane without stabilizers (kg)	3211	3814	4075	4382
Weight - stabilizer equipment (kg)	515 - 614	515 - 614	515 - 614	515 - 614
Weight - jib (kg)	-	-	770	-

Hiab XS 377 E-8 HiPro



Hiab XS 377 E-6 HiPro jib 70X-4





Atlas Polar
IT'S ALL ABOUT QUALITY™

Atlas Polar Company Ltd.
60 Northline Road
Toronto, ON M4B 3E5
Canada
1-888-799-4422
info@atlaspoler.com
www.atlaspoler.com