

Hiab XS 322

Range 27-32 tm

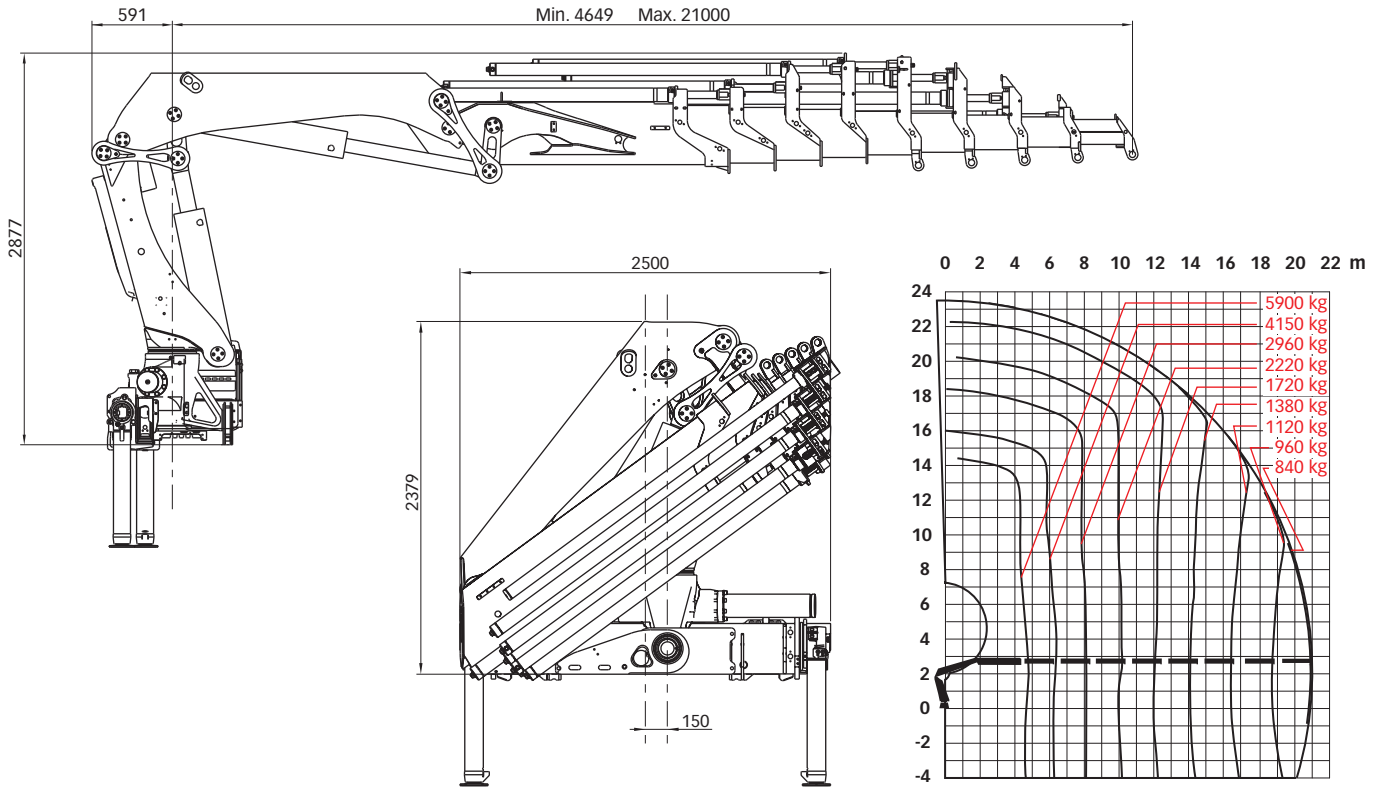


Basic data

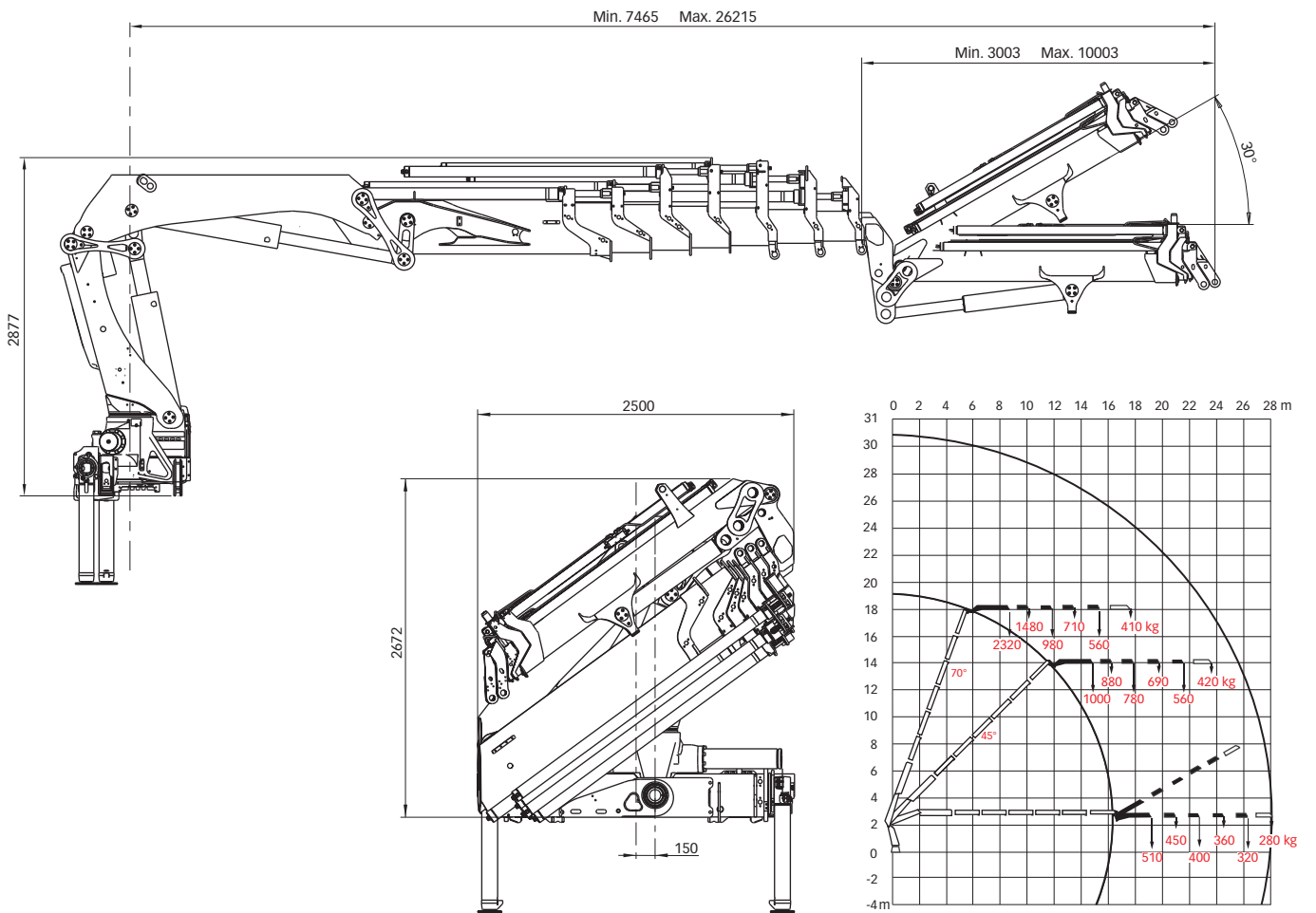
Hiab XS 322 Basic data

Technical data	EP-2 HiPro	EP-5 HiPro	E-6 HiPro	E-8 HiPro
Max. lifting capacity (kNm)	287	270	262	252
Outreach - hydraulic extensions (m)	8.0	15.1	16.2	21.0
Outreach - manual extensions (m)	12.7	17.5	20.1	22.6
Outreach - Jib (m)	-	-	26.2	-
Outreach / Lifting capacity, standard (m / kg)	3.0 / 10000	2.9 / 10000	3.1 / 9100	3.1 / 8800
	4.2 / 7500	4.5 / 6600	4.5 / 6400	4.7 / 5900
	5.9 / 5400	6.2 / 4650	6.1 / 4500	6.3 / 4150
	7.9 / 4000	8.2 / 3350	7.9 / 3300	8.1 / 2960
	-	10.4 / 2560	9.8 / 2540	10.0 / 2220
	-	12.7 / 2040	11.8 / 2020	12.0 / 1720
	-	15.0 / 1720	13.9 / 1680	14.1 / 1380
	-	-	16.1 / 1420	16.3 / 1120
	-	-	-	18.6 / 960
	-	-	-	20.9 / 840
Outreach / Lifting capacity, with Jib (m / kg)	-	-	19.2 / 510	-
	-	-	20.7 / 450	-
	-	-	22.4 / 400	-
	-	-	24.2 / 360	-
	-	-	26.1 / 320	-
Slewing angle	420°	420°	420°	420°
Height in folded position (mm)	2379	2379	2379	2379
Width in folded position (mm)	2500	2500	2500	2500
Installation space needed (mm)	1120	1252	1319	1281
Weight - "standard" crane without stabilizers (kg)	2970	3540	3780	4070
Weight - stabilizer equipment (kg)	500 - 581	500 - 581	500 - 581	500 - 581
Weight - jib (kg)	-	-	760	-

Hiab XS 322 E-8 HiPro



Hiab XS 322 E-6 HiPro jib 70X-4





Atlas Polar
IT'S ALL ABOUT QUALITY™

Atlas Polar Company Ltd.
60 Northline Road
Toronto, ON M4B 3E5
Canada
1-888-799-4422
info@atlaspolar.com
www.atlaspolar.com