

Hiab XS 166 CLX

Capacity 123,000 ft-lbs



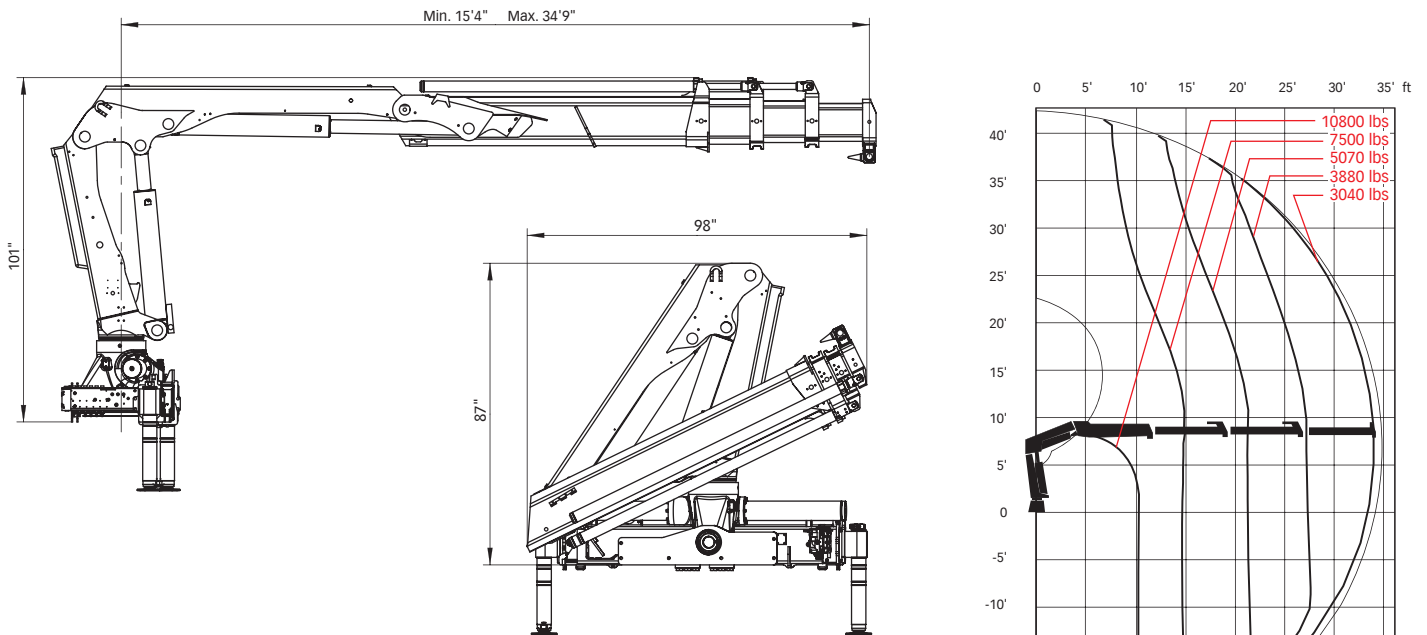
Basic data

Hiab XS 166 CLX Basic data

Technical data	B-1.2 CLX	B-2.3 CLX	B-3.3 CLX	E-3.4 CLX	E-4.5 CLX	E-5.5 CLX
Max. lifting capacity (ft-lbs)	120,980	115,040	110,630	107,660	105,490	103,970
Outreach - hydraulic extensions	20' 8"	27' 7"	34' 9"	34' 5"	42' 0"	49' 6"
Outreach - manual extensions	42' 0"	42' 0"	42' 0"	57' 1"	57' 1"	57' 1"
Outreach / Lifting capacity, standard (ft / lbs)	7' 3" / 15,430*	7' 3" / 15,210*	7' 3" / 14,990*	7' 3" / 14,550*	7' 3" / 14,330*	7' 3" / 13,890*
	9' 10" / 12,130	9' 10" / 11,680	10' 2" / 10,800	7' 10" / 13,230	8' 6" / 12,350	8' 6" / 11,900
	14' 5" / 8,380	14' 5" / 7,720	14' 9" / 7,500	14' 9" / 7,280	15' 1" / 7,050	15' 9" / 6,610
	20' 0" / 5,950	20' 4" / 5,510	20' 8" / 5,070	20' 8" / 5,070	21' 0" / 4,850	21' 8" / 4,410
	-	26' 7" / 4,190	26' 11" / 3,880	27' 3" / 3,790	27' 7" / 3,530	27' 11" / 3,310
	-	-	33' 10" / 3,040	33' 10" / 3,040	34' 1" / 2,780	34' 9" / 2,510
	-	-	-	-	41' 4" / 2,250	42' 0" / 2,030
	-	-	-	-	-	49' 3" / 1,680
Slewing angle	406°	406°	406°	406°	406°	406°
Height in folded position	87"	87"	87"	88"	88"	90"
Width in folded position	98"	98"	98"	98"	98"	98"
Installation space needed	38"	38"	38"	38"	38"	38"
Weight - "standard" crane without stabilizers (lbs)	3,530	3,810	4,080	4,410	4,065	4,890
Weight - stabilizer equipment (lbs)	560 - 850	560 - 850	560 - 850	560 - 850	560 - 850	560 - 850

* Standard hook used with heavy lift hook attachment (optional)

Hiab XS 166 B-3 CLX



Atlas Polar
IT'S ALL ABOUT QUALITY.™

Atlas Polar Company Ltd.
60 Northline Road
Toronto, ON M4B 3E5
Canada
1-888-799-4422
info@atlaspolar.com
www.atlaspolar.com