

Hiab XS 166

Range 13-17 tm

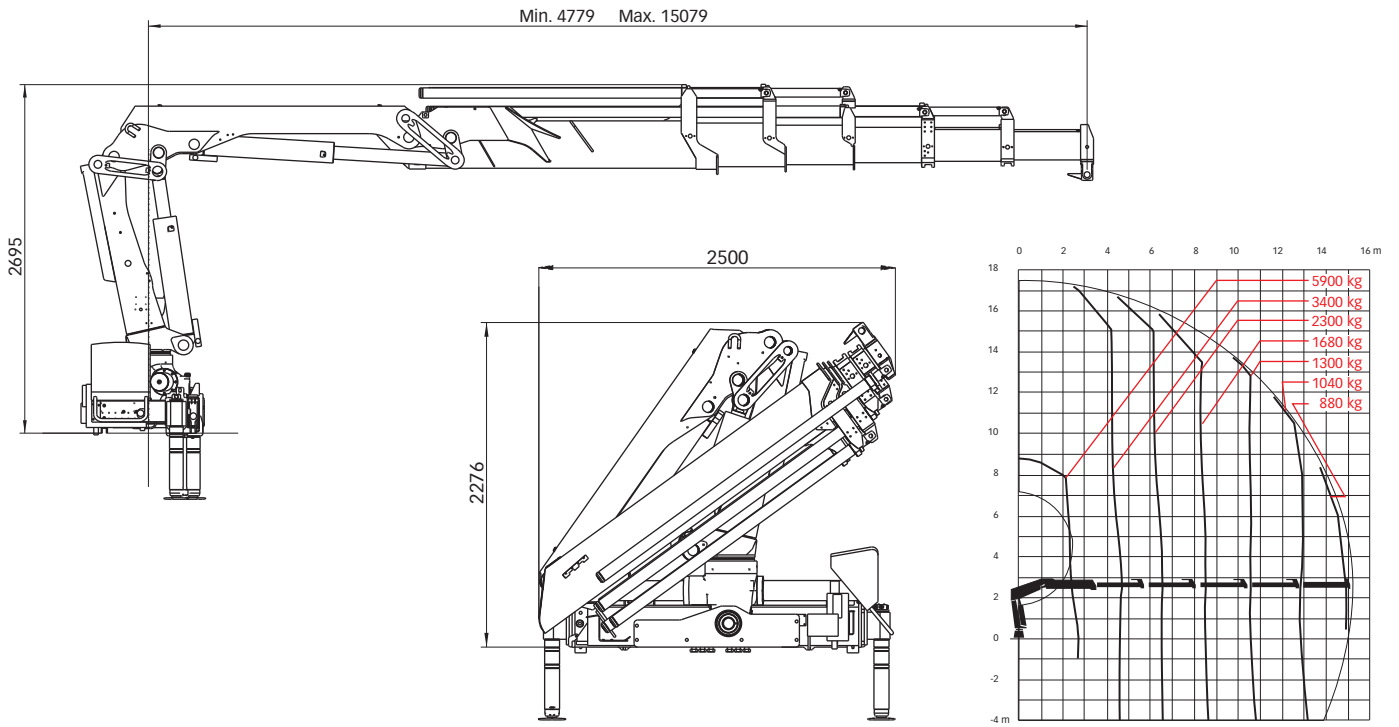


Basic data

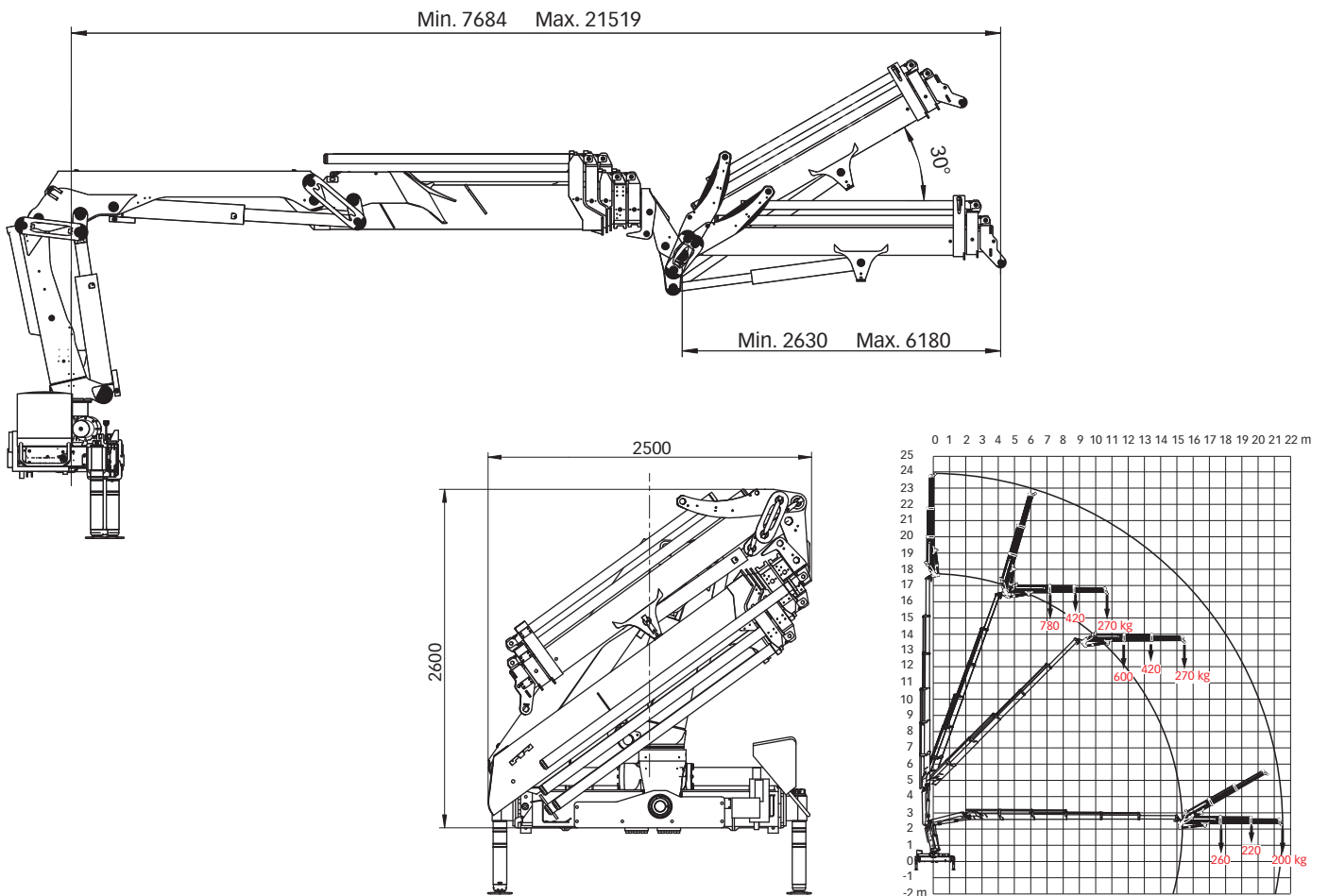
Hiab XS 166 Basic data

Technical data	B-3 CL	B-3 Duo	E-5 HiDuo	ES-3 HiPro	E-5 HiPro
Max. lifting capacity (kNm)	143	150	141	155	148
Outreach - hydraulic extensions (m)	10.6	10.6	15.1	10.2	15.1
Outreach - manual extensions (m)	12.8	-	17.4	-	17.4
Outreach - jib (m)	-	-	-	-	21.5
Outreach / Lifting capacity, standard (m / kg)	3.1 / 4700	3.1 / 4900	2.6 / 5800	2.5 / 6500	2.7 / 5900
	4.5 / 3200	4.5 / 3400	4.8 / 3200	4.2 / 3900	4.7 / 3400
	6.3 / 2200	6.3 / 2300	6.6 / 2200	6.0 / 2700	6.5 / 2300
	8.2 / 1660	8.2 / 1760	8.5 / 1640	8.0 / 2000	8.5 / 1680
	10.3 / 1300	10.6 / 1260	10.6 / 1260	10.0 / 1580	10.5 / 1300
	-	-	12.8 / 1020	-	12.7 / 1040
	-	-	15.0 / 860	-	14.9 / 880
Outreach / lifting capacity, with jib (m / kg)	-	-	-	-	17.9 / 260
	-	-	-	-	19.6 / 220
	-	-	-	-	21.5 / 200
Slewing angle	406°	406°	406°	406°	406°
Height in folded position (mm)	2208	2208	2276	2232	2276
Width in folded position (mm)	2500	2500	2500	2500	2500
Installation space needed (mm)	966	966	1056	1056	1056
Weight - "standard" crane without stabilizers (kg)	1900	1900	2260	2090	2320
Weight - stabilizer equipment (kg)	255 - 387	255 - 387	255 - 387	255 - 387	255 - 387
Weight - jib (kg)	-	-	-	-	380

Hiab XS 166 E-5 HiPro



Hiab XS 166 E-5 HiPro jib 45X-2





Atlas Polar
IT'S ALL ABOUT QUALITY™

Atlas Polar Company Ltd.
60 Northline Road
Toronto, ON M4B 3E5
Canada
1-888-799-4422
info@atlaspolar.com
www.atlaspolar.com