

Hiab XS 144 CLX

Capacity 101,300 ft-lbs



Basic data

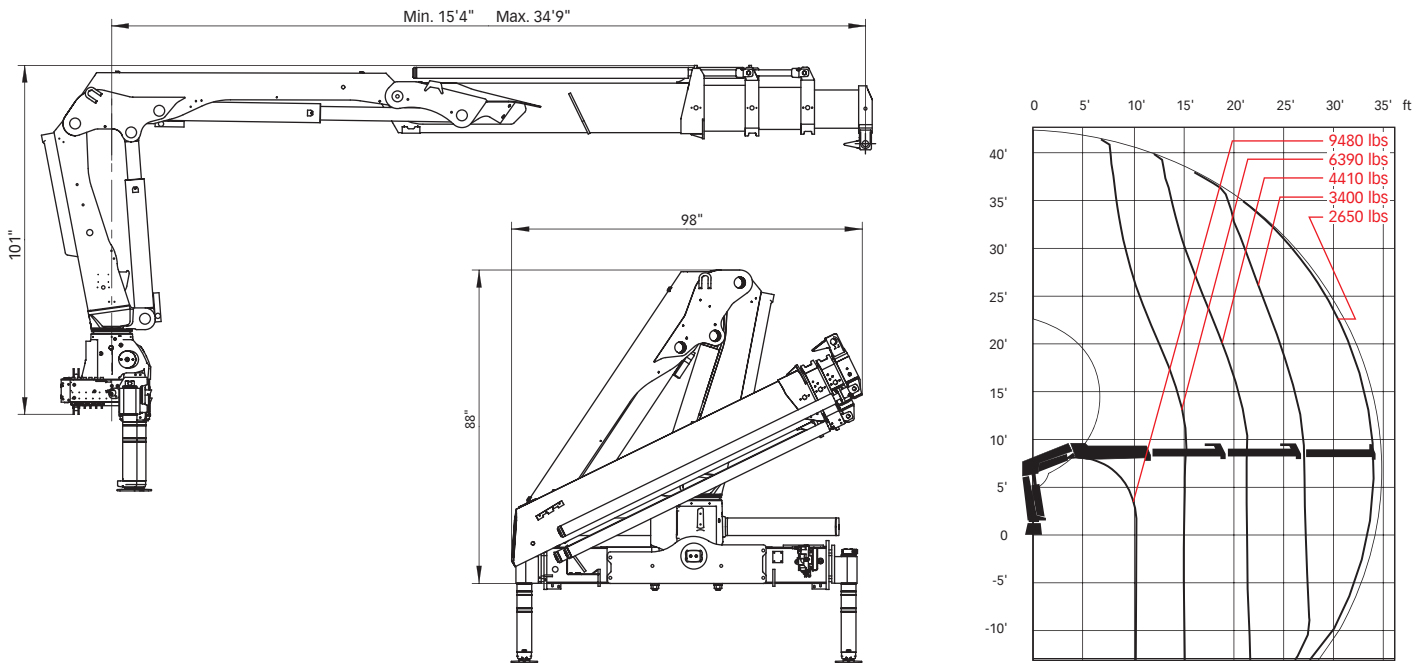
Hiab XS 144 CLX Basic data

Technical data

	B-1.2 CLX	B-2.3 CLX	B-3.3 CLX	E-3.4 CLX	E-4.5 CLX	E-5.5 CLX
Max. lifting capacity (ft-lbs)	102,530	98,840	96,590	92,900	90,730	88,490
Outreach - hydraulic extensions	20' 8"	27' 7"	34' 9"	34' 5"	42' 0"	49' 6"
Outreach - manual extensions	42" 0"	42" 0"	42" 0"	57' 1"	57' 1"	57' 1"
Outreach / Lifting capacity, standard (ft / lbs)	7' 3" / 13,670*	7' 3" / 13,450*	7' 3" / 13,230*	7' 3" / 12,790*	7' 3" / 12,570*	7' 3" / 12,350*
	9' 2" / 10,800	9' 2" / 10,140	10' 2" / 9,480	7' 10" / 11,680	8' 2" / 11,020	8' 6" / 10,360
	14' 1" / 7,280	14' 1" / 6,830	14' 9" / 6,390	15' 1" / 6,170	15' 5" / 5,730	15' 9" / 5,510
	19' 8" / 5,070	20' 0" / 4,850	20' 8" / 4,410	21' 0" / 4,320	21' 4" / 3,970	21' 8" / 3,790
	-	26' 3" / 3,660	26' 11" / 3,400	27' 3" / 3,260	27' 7" / 2,910	27' 11" / 2,730
	-	-	33' 10" / 2,650	34' 1" / 2,560	34' 5" / 2,250	34' 9" / 2,070
	-	-	-	-	41' 8" / 1,810	42' 0" / 1,630
	-	-	-	-	-	49' 3" / 1,370
Slewing angle	415°	415°	415°	415°	415°	415°
Height in folded position	88"	88"	88"	89"	89"	91"
Width in folded position	98"	98"	98"	98"	98"	98"
Installation space needed	30"	30"	34"	34"	30"	34"
Weight - "standard" crane without stabilizers (lbs)	3,060	3,350	3,590	3,810	4,370	4,610
Weight - stabilizer equipment (lbs)	430 - 820	430 - 820	430 - 820	430 - 820	430 - 820	430 - 820

* Standard hook used with heavy lift hook attachment (optional)

Hiab XS 144 B-3 CLX



Atlas Polar
IT'S ALL ABOUT QUALITY.™

Atlas Polar Company Ltd.
60 Northline Road
Toronto, ON M4B 3E5
Canada
1-888-799-4422
info@atlaspolar.com
www.atlaspolar.com