

# Hiab XS 122 CLX

## Capacity 86,800 ft-lbs



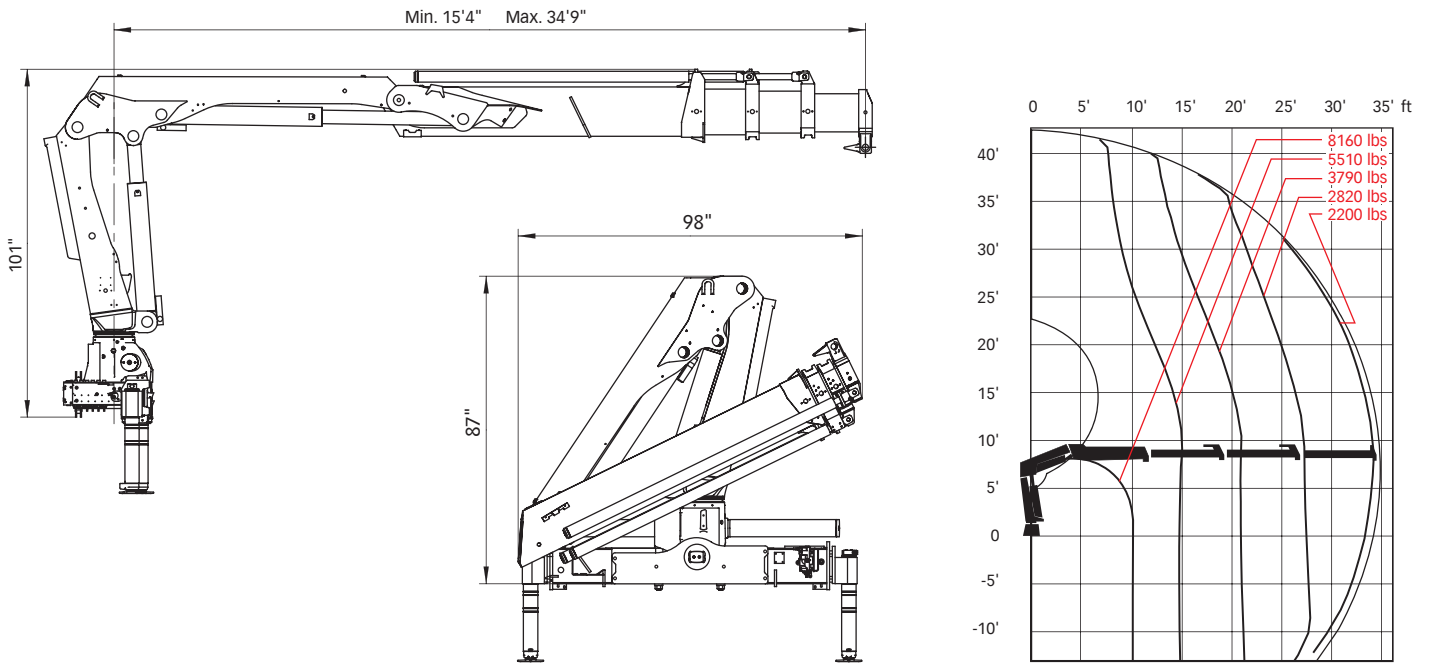
Basic data

# Hiab XS 122 CLX Basic data

Technical data	B-1.2 CLX	B-2.3 CLX	B-3.3 CLX	E-3.4 CLX	E-4.5 CLX	E-5.5 CLX
Max. lifting capacity (ft-lbs)	88,490	83,350	81,110	79,660	74,530	73,010
Outreach - hydraulic extensions	20' 8"	27' 7"	34' 9"	34' 5"	42' 0"	49' 6"
Outreach - manual extensions	42' 0"	42' 0"	42' 0"	57' 1"	57' 1"	57' 1"
Outreach / Lifting capacity, standard (ft / lbs)	7' 3" / 11,680*	7' 3" / 11,460*	7' 3" / 11,240*	7' 3" / 11,020*	7' 3" / 10,690*	7' 3" / 10,470*
	9' 2" / 9,480	9' 2" / 8,820	9' 10" / 8,160	7' 10" / 9,920	7' 10" / 9,480	8' 2" / 8,820
	14' 1" / 6,170	14' 5" / 5,730	14' 9" / 5,510	15' 1" / 5,290	15' 5" / 4,850	15' 9" / 4,630
	20' 0" / 4,410	20' 4" / 4,060	20' 8" / 3,790	21' 0" / 3,620	21' 4" / 3,400	21' 8" / 3,130
	-	26' 11" / 3,090	27' 3" / 2,820	27' 3" / 2,690	27' 7" / 2,470	27' 11" / 2,250
	-	-	33' 10" / 2,200	34' 1" / 2,120	34' 5" / 1,900	34' 9" / 1,680
	-	-	-	-	41' 8" / 1,540	42' 0" / 1,320
	-	-	-	-	-	49' 3" / 1,100
Slewing angle	415°	415°	415°	415°	415°	415°
Height in folded position	87"	87"	87"	88"	90"	90"
Width in folded position	98"	98"	98"	98"	98"	98"
Installation space needed	30"	30"	34"	34"	34"	34"
Weight - "standard" crane without stabilizers (lbs)	2,840	3,090	3,350	3,810	4,230	4,230
Weight - stabilizer equipment (lbs)	430 - 810	430 - 810	430 - 810	430 - 810	430 - 810	430 - 810

\* Standard hook used with heavy lift hook attachment (optional)

## Hiab XS 122 B-3 CLX



**Atlas Polar**  
IT'S ALL ABOUT QUALITY.™

Atlas Polar Company Ltd.  
60 Northline Road  
Toronto, ON M4B 3E5  
Canada  
**1-888-799-4422**  
info@atlaspoler.com  
www.atlaspoler.com