

Hiab XS 122

Range 9-12 tm

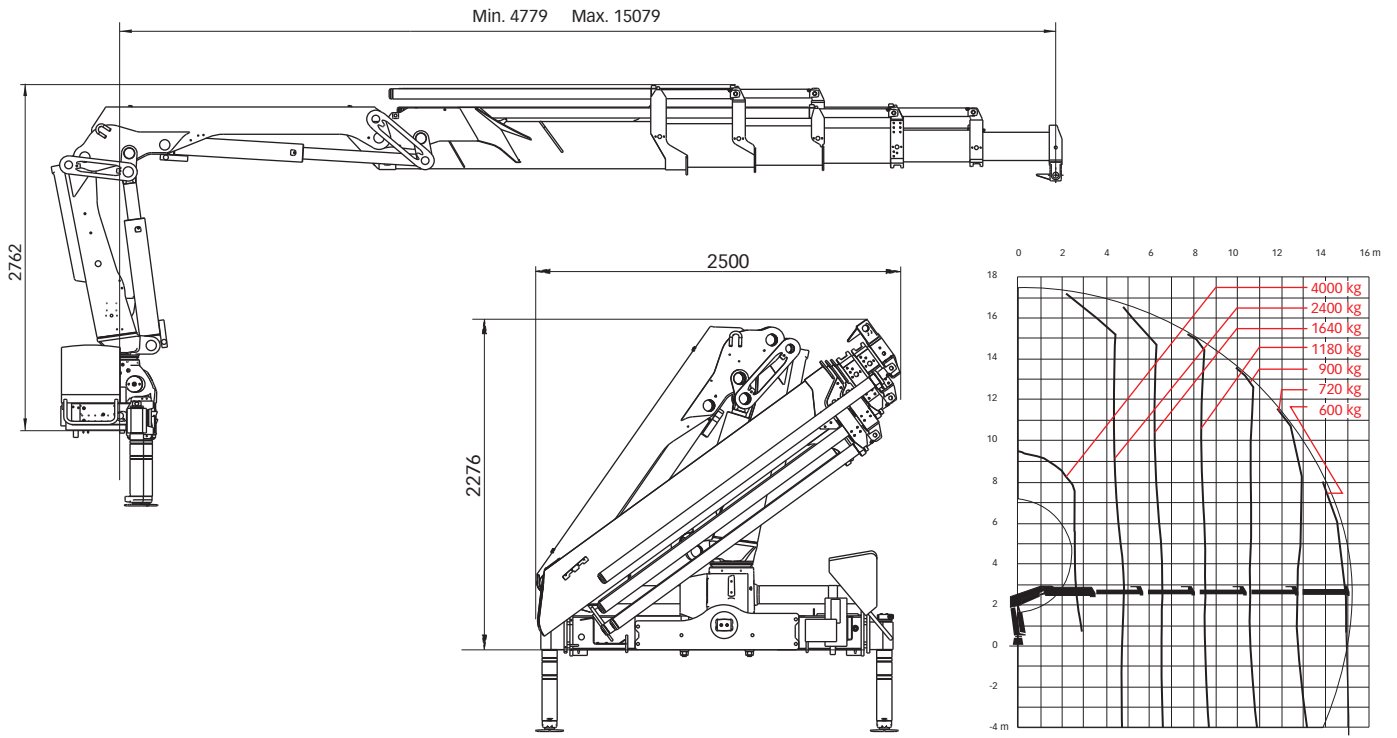


Basic data

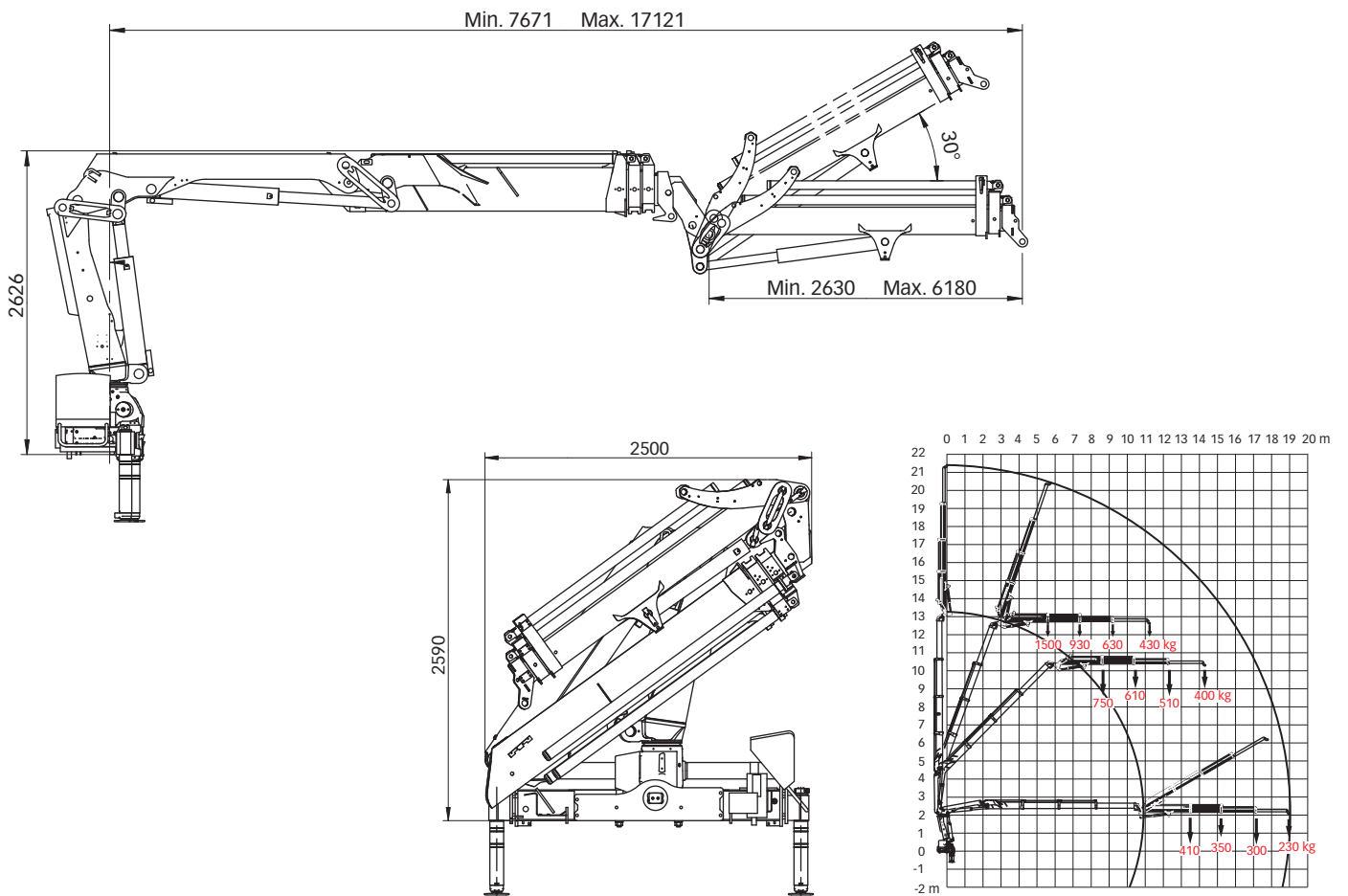
Hiab XS 122 Basic data

Technical data	B-3 CL	B-3 Duo	E-5 HiDuo	ES-3 HiPro	E-3 HiPro	E-5 HiPro
Max. lifting capacity (kNm)	102	110	99	110	108	105
Outreach - hydraulic extensions (m)	10.6	10.6	15.1	10.2	10.5	15.1
Outreach - manual extensions (m)	12.8	-	17.4	17.1	17.4	17.4
Outreach - jib (m)	-	-	-	-	17.1	-
Outreach / lifting capacity (m / kg)	3.0 / 3400	3.0 / 3700	2.6 / 4200	2.3 / 5200	2.6 / 4600	2.9 / 4000
	4.5 / 2300	4.5 / 2500	4.8 / 2300	4.3 / 2900	4.6 / 2700	4.8 / 2400
	6.3 / 1560	6.3 / 1720	6.6 / 1580	6.1 / 1960	6.4 / 1860	6.6 / 1640
	8.3 / 1160	8.3 / 1280	8.5 / 1140	8.0 / 1460	8.3 / 1400	8.5 / 1180
	10.3 / 920	10.3 / 1000	10.6 / 860	10.1 / 1140	10.4 / 1100	10.6 / 900
	-	-	12.8 / 680	-	-	12.8 / 720
	-	-	15.0 / 560	-	-	15.0 / 600
Outreach / lifting capacity, with jib (m / kg)	-	-	-	-	13.5 / 410	-
	-	-	-	-	15.2 / 350	-
	-	-	-	-	17.1 / 300	-
Slewing angle	415°	415°	415°	415°	415°	415°
Height in folded position (mm)	2208	2208	2276	2231	2231	2276
Width in folded position (mm)	2500	2500	2500	2500	2500	2500
Installation space needed (mm)	861	861	854	927	927	927
Weight - "standard" crane without stabilizers (kg)	1580	1590	1960	1820	1830	2020
Weight - stabilizer equipment (kg)	195 - 366	230 - 371	195 - 366	195 - 366	195 - 366	195 - 366
Weight - jib (kg)	-	-	-	-	380	-

Hiab XS 122 E-5 HiPro



Hiab XS 122 E-3 HiPro jib 45X-2





Atlas Polar
IT'S ALL ABOUT QUALITY™

Atlas Polar Company Ltd.
60 Northline Road
Toronto, ON M4B 3E5
Canada
1-888-799-4422
info@atlaspolar.com
www.atlaspolar.com