



Hiab XS 088 CLX Capacity 59,300 ft-lbs



Product brochure



Column close to centerline

On Hiab cranes with a rack-and-pinion slewing housing, the center of gravity is as close to the centerline as possible. This means that the same outreach is offered on both sides of the truck.

Load-holding valve

The load-holding valve is a combined hose-failure and load-holding valve, which is mounted on the cylinder.

Oil bath

Keeping the slewing mechanism in an oil bath provides smooth and precise slewing. Reduced wear on the mechanism keeps repair and service costs low and also guarantees longer crane life.

The complete solution

The Hiab XS 088 CLX exceeds your expectations

Hiab has consistently led the way forward with innovative knuckle boom crane design, achieving unrivalled levels of crane performance. The Hiab XS 088 CLX is an extraordinary crane where meticulous attention to detail has resulted in a crane package that not only meets your needs, but exceeds all your expectations in terms of performance, reliability and low cost of ownership.

Designed for the tough jobs, every day

Hiab designs cranes for rough and tough operation, and this crane is no exception. The crane is designed to be on the job, day in and day out, where it belongs; however, unscheduled servicing is necessary from time to time. In order to keep servicing time as short as possible, we have equipped the crane with JIC couplings and easily replaceable large slide pads. Before you know it, the crane is back at the jobsite, doing what it does best: creating solutions and versatility for your business.

CLX control system

The CLX control system gives you an excellent and versatile crane, providing all the functionality you need to perform a wide range of general cargo-handling tasks. CLX cranes are controlled manually via side controls. Optional solutions, such as a control platform, are also available. The CLX crane's hydraulic system features load-holding valves with an integrated hose failure function, as well as port relief valves to prevent overloading the crane. The main control valve is the Hiab Valve 80, which enables the crane to perform more than one crane function at a time, smoothly and efficiently.



Hexagonal boom profile

The hexagonal profile ensures that the boom is always held in perfect balance, thanks to its shape and large support surface. The profile also minimizes boom deflection, thus reducing maintenance costs and increasing efficiency.

Large slide pads

Large slide pads reduce friction and wear, keeping maintenance costs low. Also the Hiab boom system needs no greasing, and thus it stays cleaner than those of our competitors.

Attachable tools

A wide range of attachable tools are available for your Hiab crane. These enable you to carry out many different tasks.



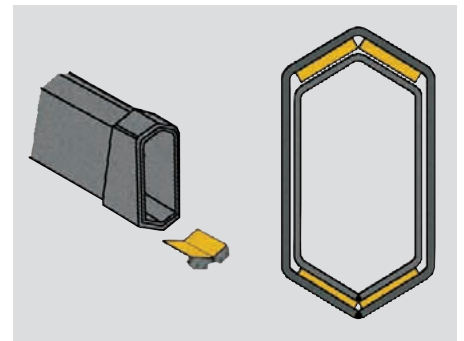
Side controls

The levers are positioned at the crane base. Cross-controls give the same sequence of levers on both sides. As an option, the levers can be positioned at a control platform.



Valve 80

The Hiab Valve 80 is a top-of-the-line open-center valve, based on a well-proven technique which gives superb reliability. The valve handles large oil flows and provides great precision and ease of operation.



Large slide pads

The hexagonal profile enables the use of larger slide pads. This makes the extensions move more smoothly and reduces mechanical wear on the boom.



Atlas Polar
IT'S ALL ABOUT QUALITY™

Atlas Polar Company Ltd.
60 Northline Road
Toronto, ON M4B 3E5
Canada
1-888-799-4422
info@atlaspolar.com
www.atlaspolar.com