

Hiab XS 055 Range 4-6 tm



Product brochure



- **Column close to centreline**
On Hiab cranes with a rack-and-pinion slewing housing the centre of gravity is as close to the centreline as possible. This means that the same outreach is offered on both sides of the truck.
- **Well protected control levers**
The control panel levers are always set up to be protected from accidental movements from the operator. This is done by mounting a protective bar, also used for resting the operators fore arms on.
- **Load-holding valve**
The load-holding valve is a combined hose-failure and load-holding valve which is mounted on the cylinder.

Light and compact with great strength

The Hiab XS 055 a giant in disguise

The Hiab XS 055 combines all the features and benefits you look for in a 4–6 tonne metre capacity truck crane, as well as a great deal more. When you want compatibility with your fleet of medium size trucks, the XS 055 delivers just that. Despite being such a compact crane, it delivers an all-round performance that definitely will exceed your expectations. The crane can be delivered with the CL, Duo or HiDuo control system.

CL control system

The CL (Classic) control system provides an excellent, versatile crane. Equipped with manual operator controls, Valve 80 and the SPACE 3000 intelligence system enables the crane to perform more than one crane function at the same time, smoothly and efficiently.

SPACE 3000 intelligence system

SPACE 3000 intelligently monitors and controls the electronic functions of your crane. This is done using a highly advanced Over Load Protection (OLP) function. Among other benefits this provides you with an increased slewing area. Further more, the system handles functions primarily used by service personnel such as fault-code indication and load-cycle data. Equipped with these functions the SPACE 3000 is a part of the CL control system.

Built to meet your needs

An optional D-link makes the second boom move at a constant speed. This results in even smoother and more precise performance. You can also order the crane with an optional short second boom. This S-boom system increases lifting height close to the column, proving very useful when for example loading a second-layer pallet close to the column.



Hexagonal boom profile

The hexagonal profile ensures the boom is always in perfect balance, thanks to its shape and large support surface. The profile also minimizes boom deflection, which reduces maintenance costs and increases efficiency.

Large slide pads

The hexagonal profile enables the use of larger slide pads. This makes the extensions move more smoothly and reduces mechanical wear on the boom.

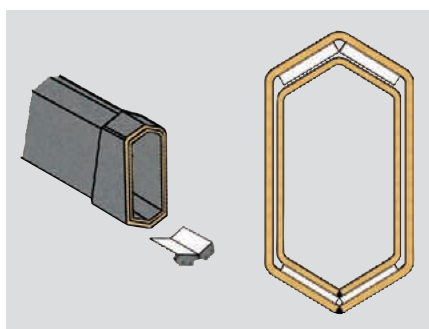
Attachable tools

A wide range of attachable tools are available for your Hiab crane. These make sure you can carry out a lot of different tasks.



Valve 80

The Hiab Valve 80 is a top-of-the-line open-centre valve based on well-proven technique which gives superb reliability. The valve handles large oil flows and provides great precision and ease of operation.



Hexagonal boom profile

The hexagonal profile used on Hiab booms is a ground-breaking design introduced by Hiab many years ago. It is now standard throughout the market for loader cranes. Even the smallest Hiab crane benefits from this design.



Atlas Polar
IT'S ALL ABOUT QUALITY™

Atlas Polar Company Ltd.
60 Northline Road
Toronto, ON M4B 3E5
Canada
1-888-799-4422
info@atlaspolar.com
www.atlaspolar.com