

Hiab XS 055

Range 4-6 tm



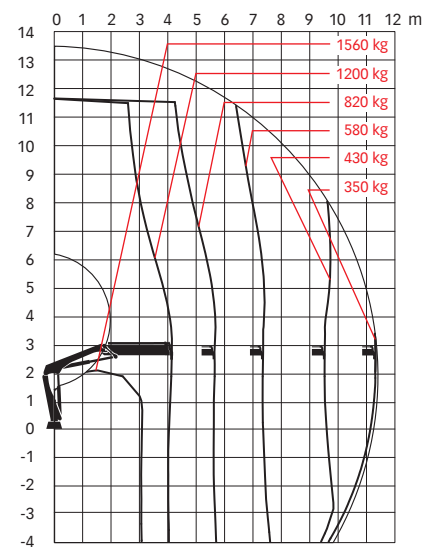
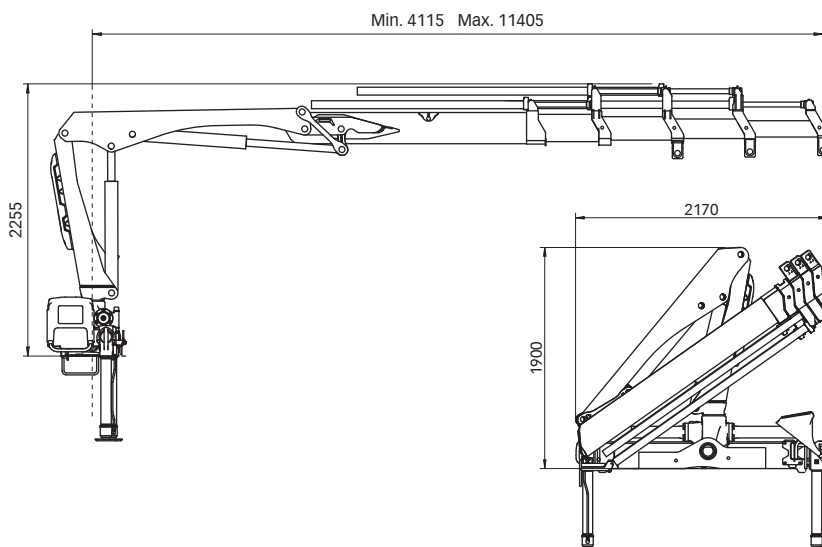
Basic data

Hiab XS 055 Basic data

Technical data

	B-1 CL	B-2 Duo	D-3 HiDuo	D-4 HiDuo
Max. lifting capacity (kNm)	45	45	49	47
Outreach - hydraulic extensions (m)	5.5	7.3	9.3	11.3
Outreach - manual extensions (m)	9.1	9.1	11.2	-
Outreach / lifting capacity, standard (m / kg)	2.3 / 1980	2.7 / 1760	2.9 / 1720	3.1 / 1560
	3.8 / 1200	3.8 / 1220	4.0 / 1240	4.1 / 1200
	5.4 / 840	5.4 / 840	5.5 / 880	5.6 / 820
	-	7.2 / 620	7.3 / 640	7.3 / 580
	-	-	9.3 / 490	9.3 / 430
	-	-	-	11.2 / 350
Slewing angle	410°	410°	410°	410°
Height in folded position (mm)	1900	1900	1900	1900
Width in folded position (mm)	2075	2160	2150	2170
Installation space needed (mm)	565	565	650	650
Weight - "standard" crane without stabilizers (kg)	730	810	880	950
Weight - stabilizer equipment (kg)	105 - 160	105 - 160	105 - 160	105 - 160

Hiab XS 055 D-4 HiDuo



Atlas Polar
IT'S ALL ABOUT QUALITY™

Atlas Polar Company Ltd.
60 Northline Road
Toronto, ON M4B 3E5
Canada
1-888-799-4422
info@atlaspolar.com
www.atlaspolar.com