

HIAB T-CLX 038



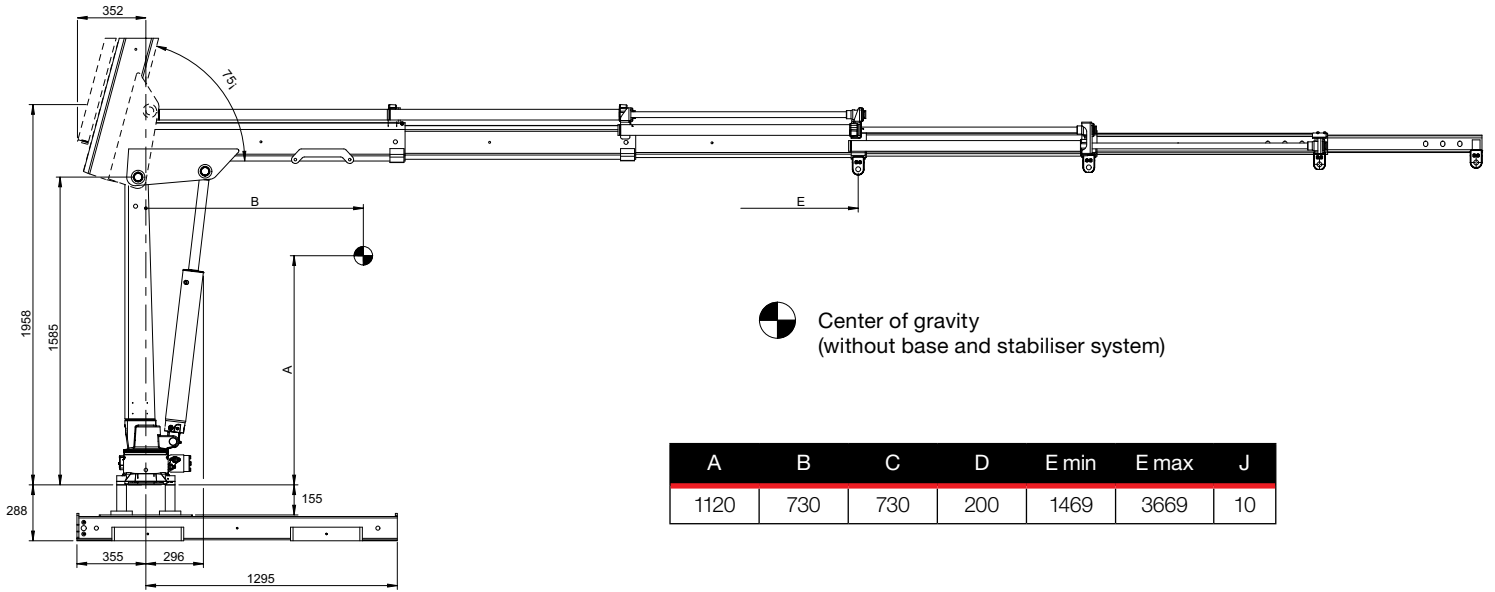
HIAB T-CLX 038 BASIC DATA

Technical data	CLX 038-2 CE	CLX 038-3 CE	CLX 038-4 CE	CLX 038-2	CLX 038-3	CLX 038-4
Max. lifting capacity (kNm)	34.8	34.5	34.2	34.8	34.5	34.2
Lifting capacity (tm)	3.5	3.5	3.5	3.5	3.5	3.5
Outreach / lifting capacity, hydraulic extension (m/kg)	1.5/995 2.5/995 3.6/970	1.6/995 2.6/995 3.7/910 4.8/700	1.7/995 2.7/995 3.8/860 4.9/650 6.0/530	1.5/2360 2.5/1400 3.6/970	1.6/2200 2.6/1320 3.7/910 4.8/700	1.7/2040 2.7/1240 3.8/860 4.9/650 6.0/530
Outreach / lifting capacity, manual extension (m/kg)	4.8/700 6.0/550	6.0/540	6.9/440	4.8/700 6.0/550	6.0/540	6.9/440
Outreach, hydraulic extensions (m)	2.1	3.2	4.3	2.1	3.2	4.3
Hydraulic boom extensions (m)	3.6	4.8	6	3.6	4.8	6
Outreach, manual extensions (m)	2.4	2.4	1.2	2.4	2.4	1.2
Lifting height above installation level (m)	5.1	6.3	7.4	5.1	6.3	7.4
Recommended oil flow (l/min)	10	10	10	10	10	10
Power needed at rec. oil flow (kW)	3	3	3	3	3	3
Max. working pressure (MPa)	17.5	17.5	17.5	17.5	17.5	17.5
Tank Capacity PTO (l)	18	18	18	18	18	18
Slewing angle (°)	322	322	322	322	322	322
Max. slope viable at full capacity (°)	5	5	5	5	5	5
Slewing torque, gross (kNm)	3	3	3	3	3	3
Slewing speed (°/s)	14	14	14	14	14	14
Height in folded position (mm)	1702	1702	1702	1702	1702	1702
Width in folded position static mounted (mm)	883	883	883	883	883	883
Width in folded position truck mounted (mm) no stab beam/with stab beam and tilting	1826/1926	1826/1926	1826/1926	1826/1926	1826/1926	1826/1926
Installation space needed static mounted (mm)	300	300	300	300	300	300
Installation space needed truck mounted (mm)	536	536	536	536	536	536
Weight, static mounted (kg)	290	330	370	290	330	370
Weight, mounting frame plus 2 short hydr. stabiliser legs (kg)	126	126	126	126	126	126

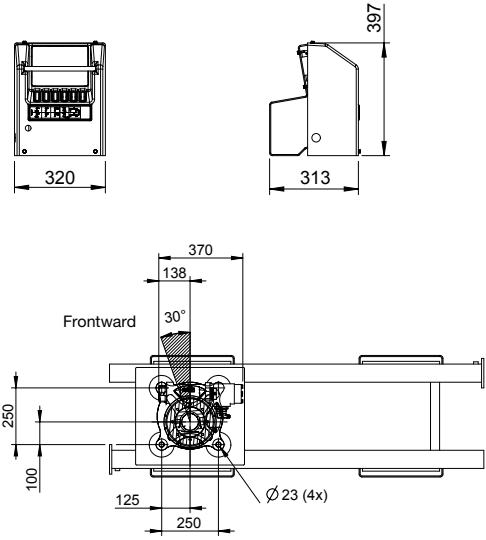
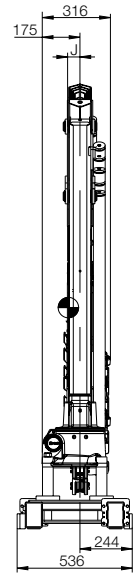
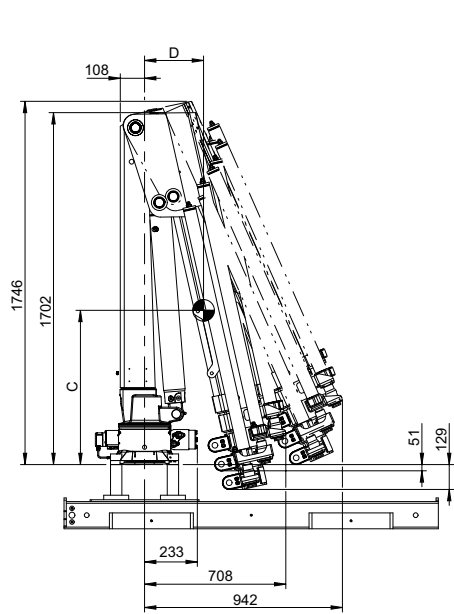
This table shows a few examples of models, and represents some of all options available. With the opportunity to configure your crane, we can provide you with a crane perfectly tailored to your needs.

Please contact your local dealer for more information on the variety of options we can offer.

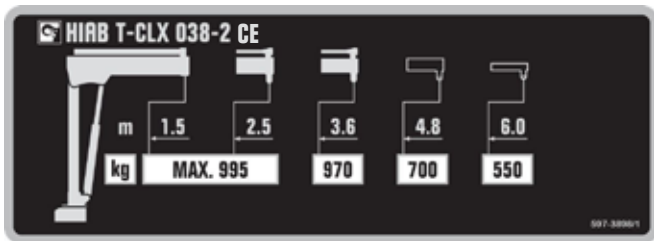
HIAB T-CLX 038-2



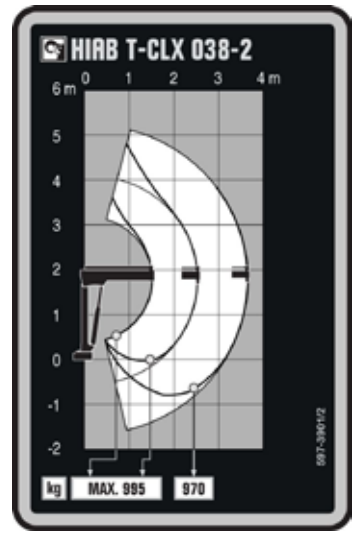
A	B	C	D	E min	E max	J
1120	730	730	200	1469	3669	10



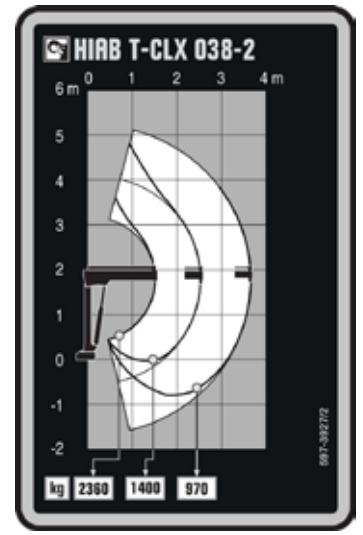
Capacity plate HIAB T-CLX 038-2 CE



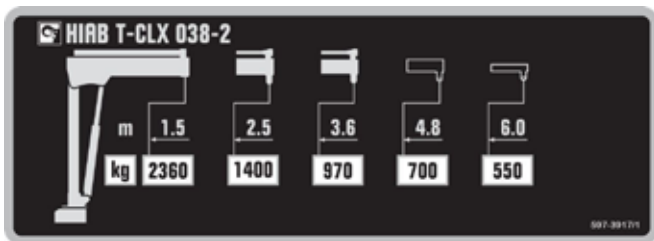
Load diagram HIAB T-CLX 038-2 CE



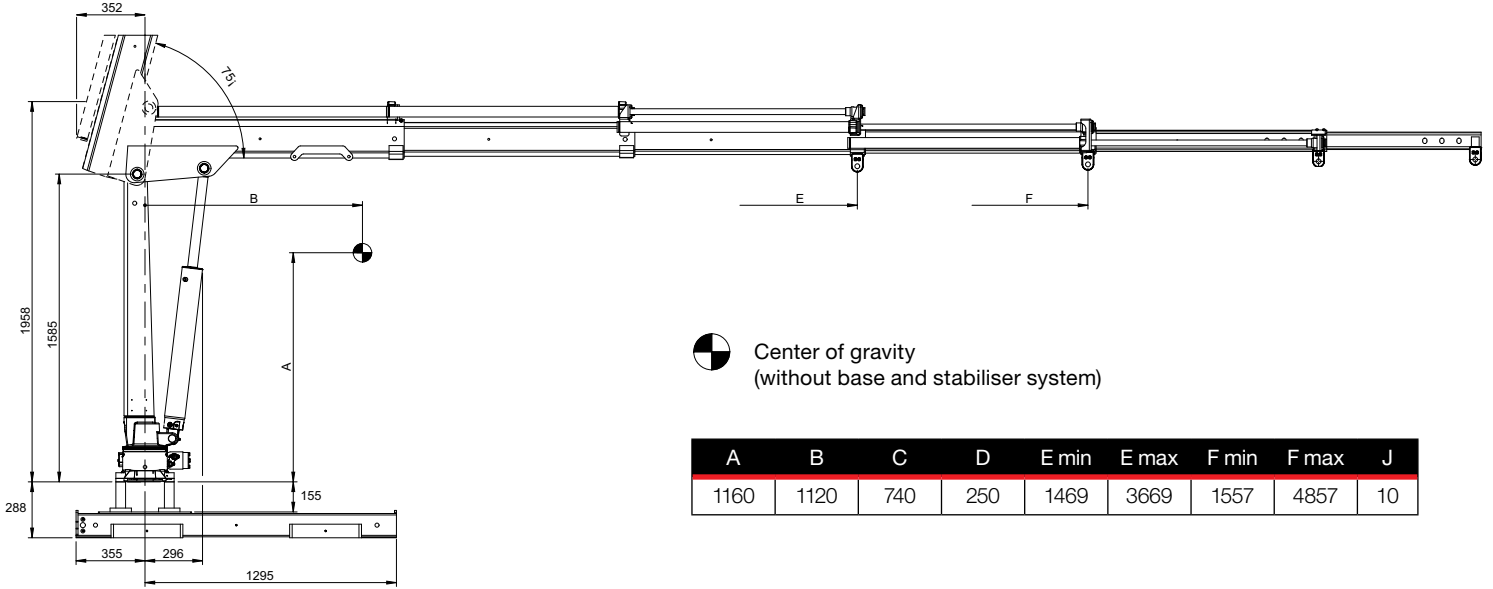
Load diagram HIAB T-CLX 038-2




Capacity plate HIAB T-CLX 038-2

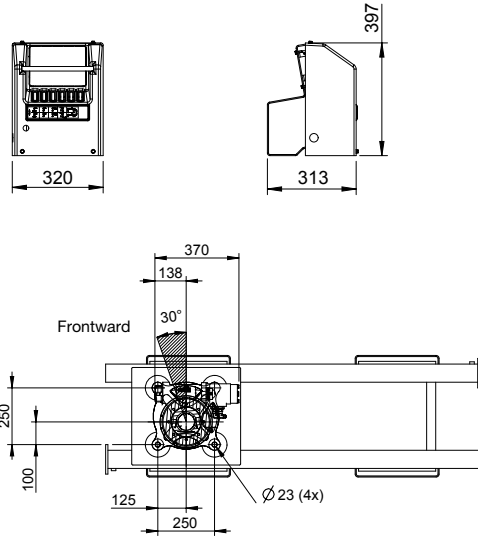
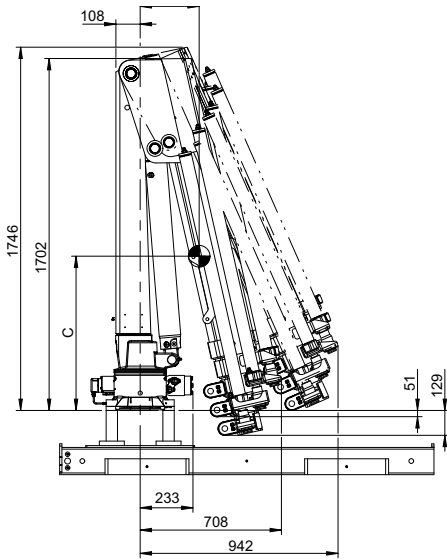


HIAB T-CLX 038-3

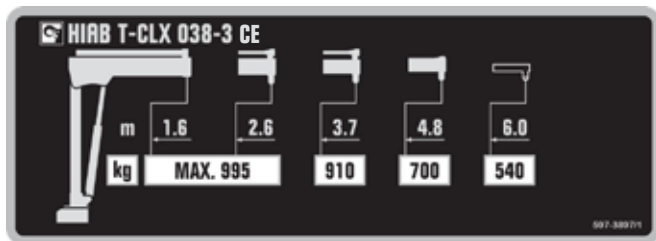


 Center of gravity
(without base and stabiliser system)

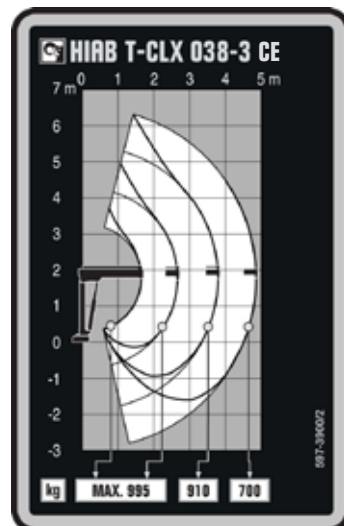
A	B	C	D	E min	E max	F min	F max	J
1160	1120	740	250	1469	3669	1557	4857	10



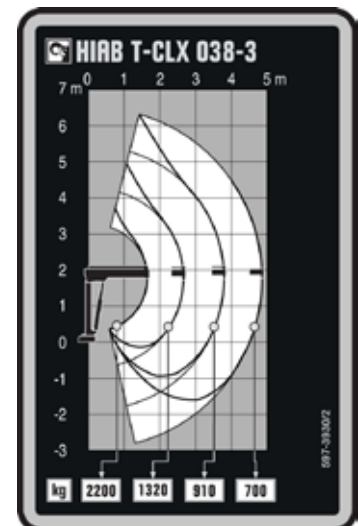
Capacity plate HIAB T-CLX 038-3 CE



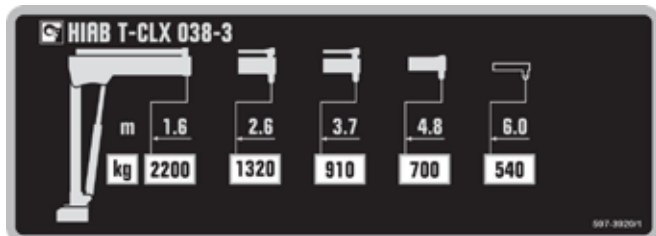
Load diagram HIAB T-CLX 038-3 CE



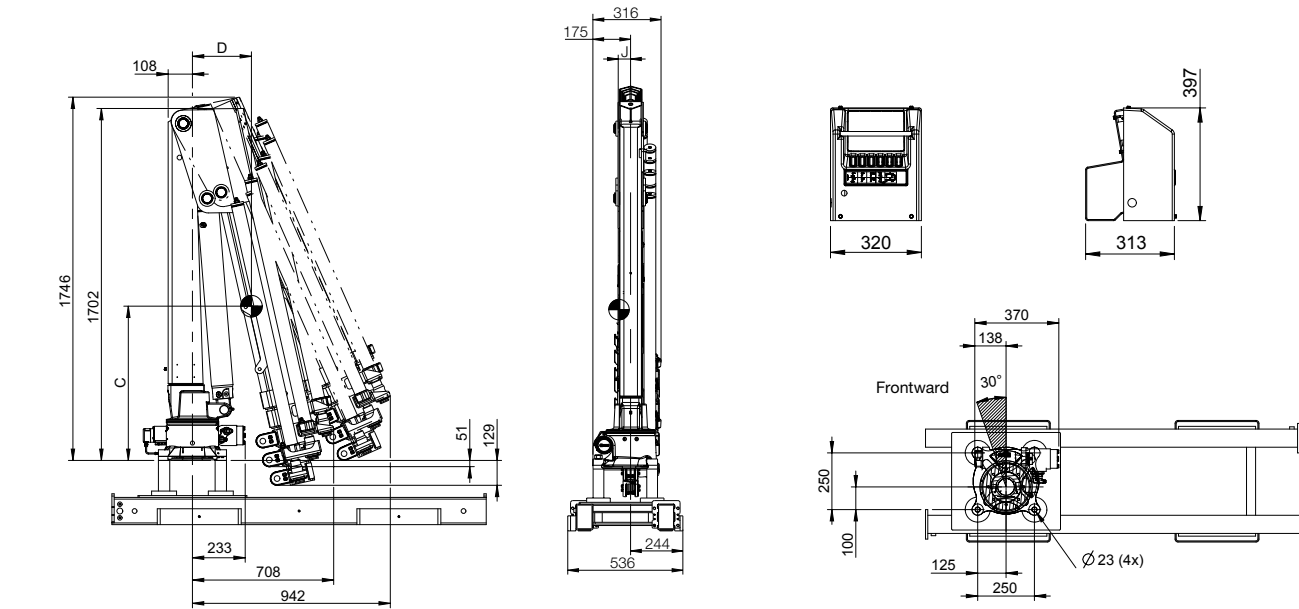
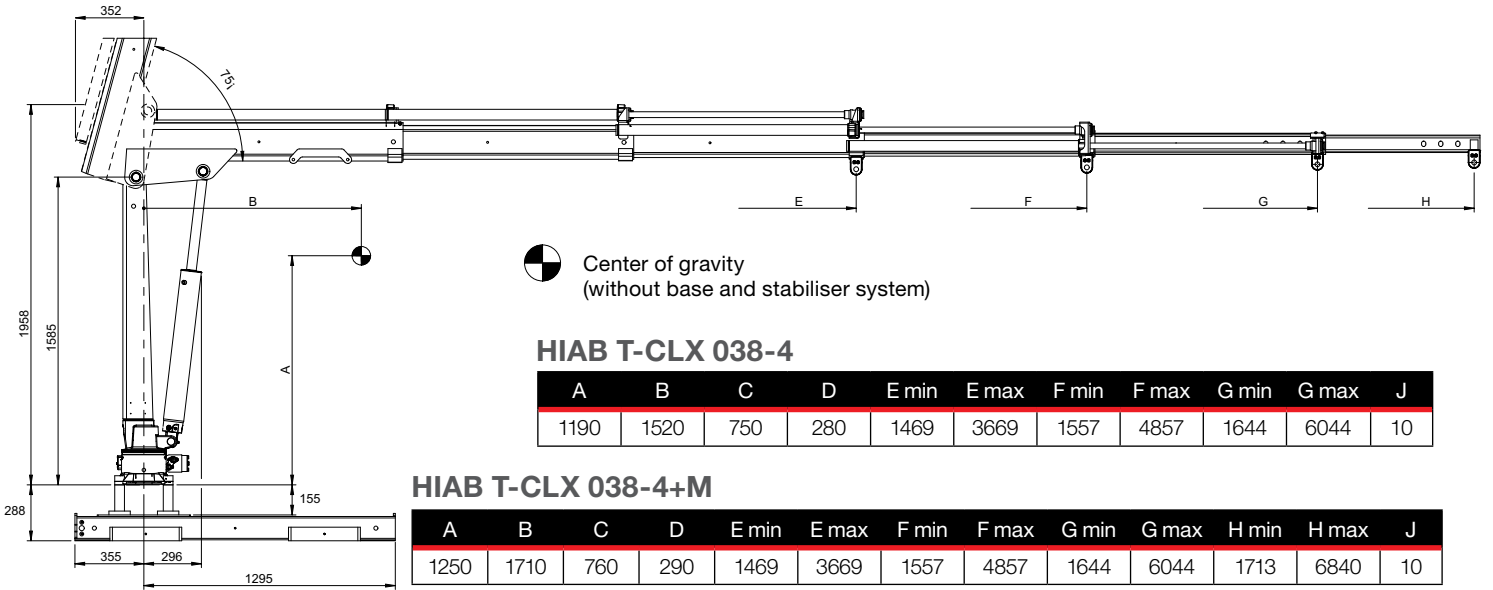
Load diagram HIAB T-CLX 038-3



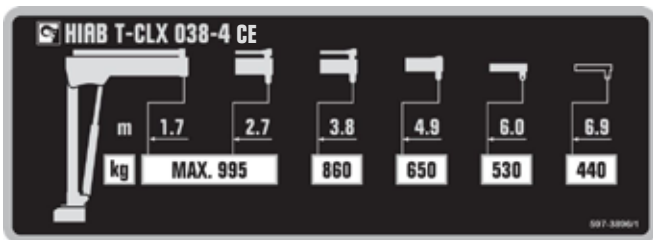
Capacity plate HIAB T-CLX 038-3



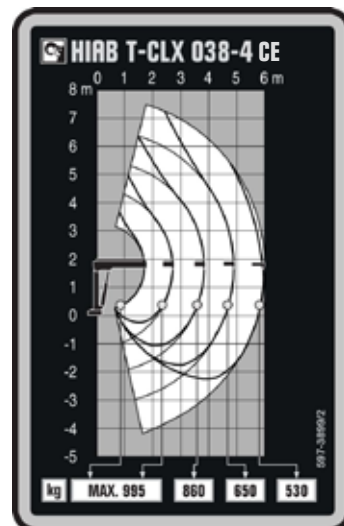
HIAB T-DUO 038-4 + M



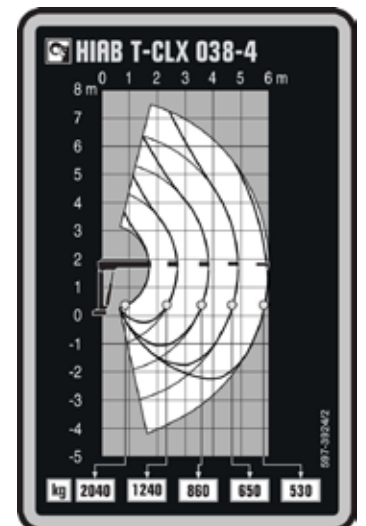
Capacity plate HIAB T-CLX 038-4 CE



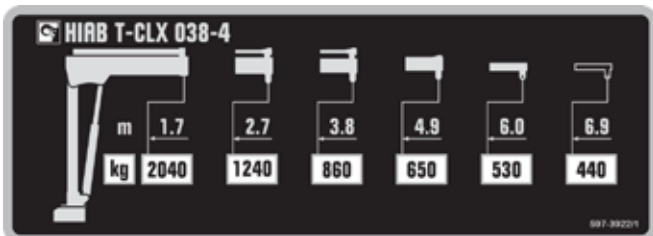
Load diagram HIAB T-CLX 038-4 CE



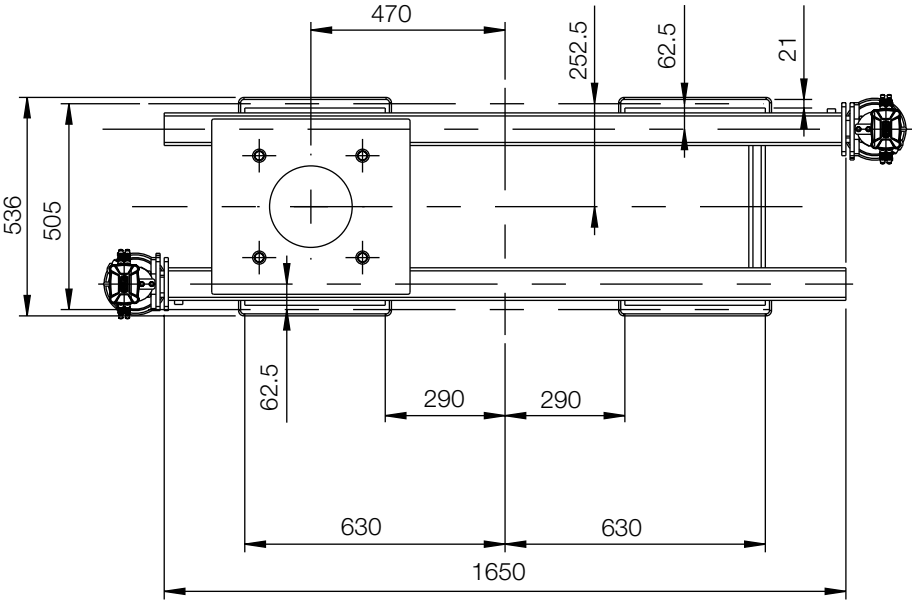
Load diagram HIAB T-CLX 038-4



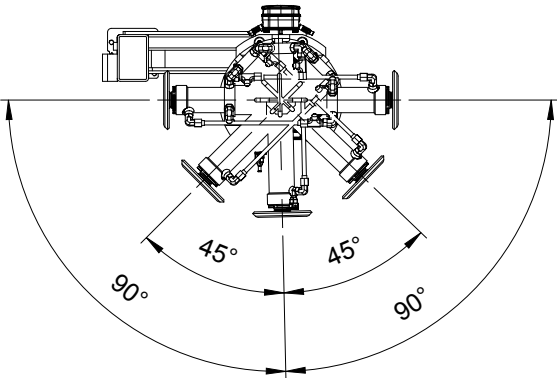
Capacity plate HIAB T-CLX 038-4



HIAB T-CLX 038



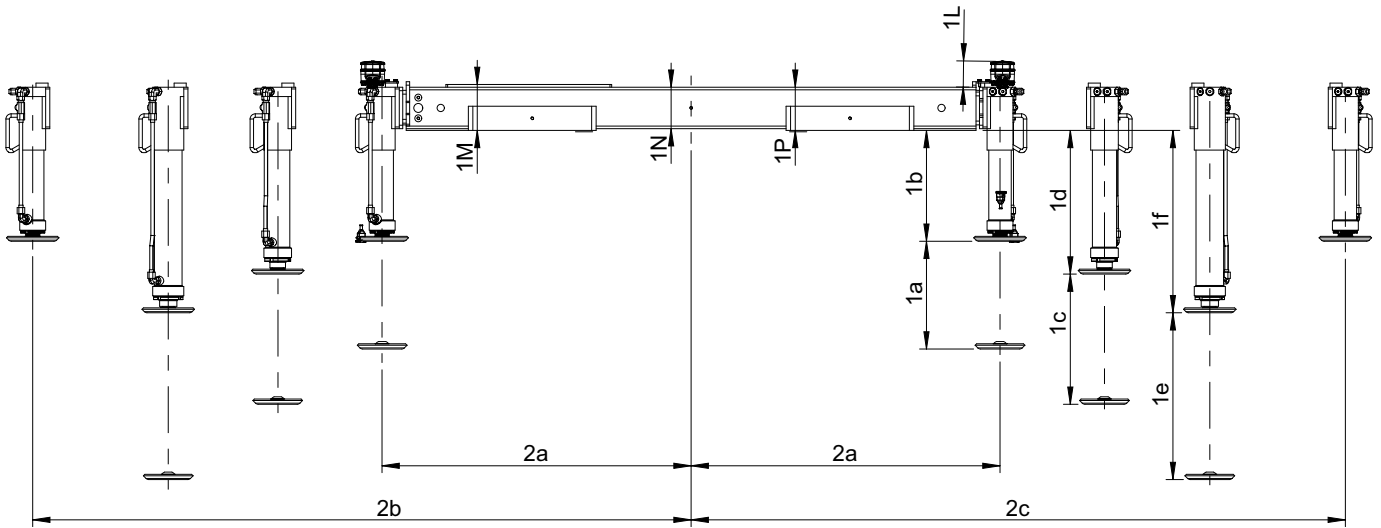
Tiltable stabiliser leg parking positions



HIAB T-CLX 038

Hydraulic stabiliser leg

Hydraulic stabiliser leg



Other base dimensions

	Fixed stabiliser leg position	Tiltable stabiliser leg
1L	75	52
1M	133	133
1N	120	120
1P	125	125

Stabiliser leg length

		Fixed stabiliser leg		Tiltable stabiliser leg"
Hydraulic stabiliser leg	Short	1a	312	312
		1b	321	344
	Medium	1c	377	377
		1d	416	439
	Long	1e	483	483
		1f	528	551

Base width

		Fixed stabiliser leg	Outrigger beam length Short (300 mm)	Outrigger beam length Medium (600 mm)	Outrigger beam length Long (1100 mm)
Fixed stabiliser leg position	2a	875	895	895	895
	2b		1195	1695	1995
	2c		1195	1695	1995
Tiltable stabiliser leg	2a	905	925	925	925
	2b		1225	1725	2025
	2c		1225	1725	2025

BUILT TO PERFORM

Hiab is the world's leading provider of on-road load handling equipment. Customer satisfaction is the first priority for us. Hiab's product range includes HIAB loader cranes, JONSERED recycling and forestry cranes, LOGLIFT forestry cranes, MOFFETT truck mounted forklifts and MULTILIFT demountables, as well as DEL, WALTCO and ZEPRO tail lifts.

hiab.com

Hiab is part of Cargotec.

cargotec.com



Disclaimer. We reserve the right to make changes. Illustrations, drawings and data are not always in accordance with the latest version or standard model in production. The models in the pictures may present special equipment or colours.

TD-TOLX038-EN-EU_161115



hiab.com