

Hiab 026 T

Capacity 2.6 tm



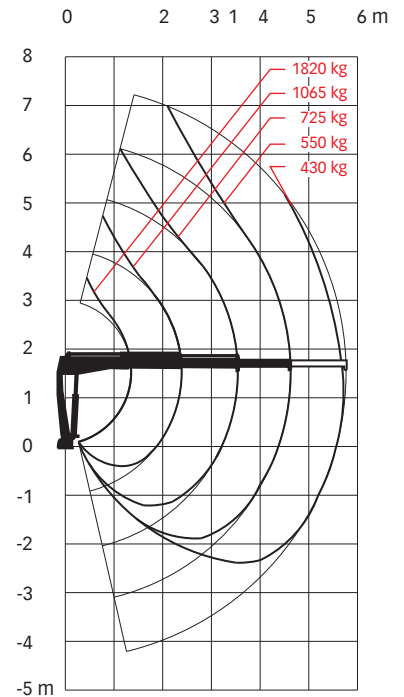
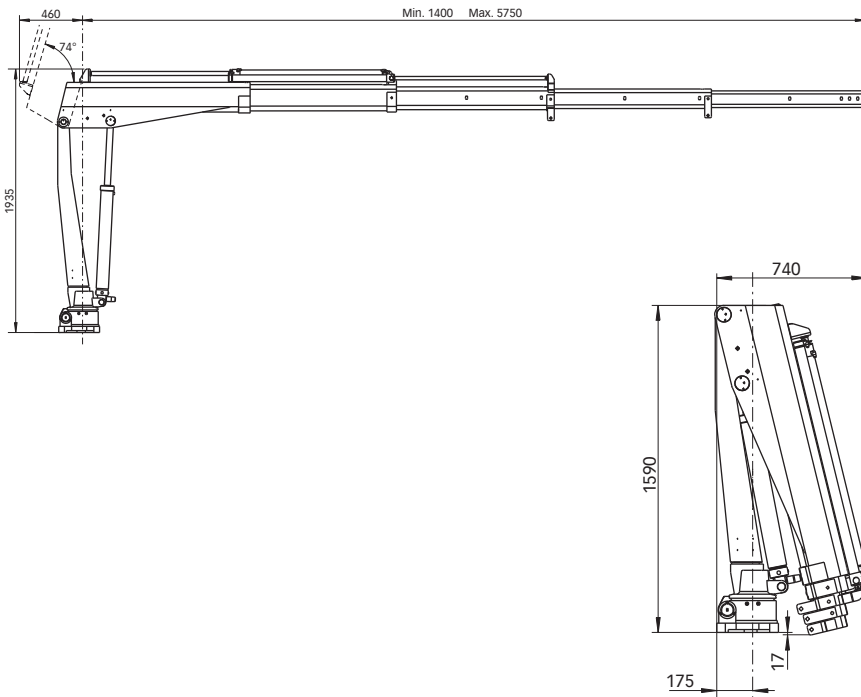
Basic data

Hiab 026 T Basic data

Technical data

	026 T-1	026 T-2	026 T-3
Max. lifting capacity (kNm)	25.4	25.2	25.1
Outreach - hydraulic extensions (m)	2.3	3.4	4.6
Outreach - manual extensions (m)	5.8	5.8	5.8
Outreach / lifting capacity, standard (m / kg)	1.3 / 1900	1.3 / 1900	1.4 / 1820
	2.3 / 1115	2.3 / 1115	2.4 / 1065
	-	3.4 / 765	3.5 / 725
	-	-	4.6 / 550
Slewing angle	330°	330°	330°
Height in folded position (mm)	1590	1590	1590
Width in folded position (mm)	740	740	740
Installation space needed (mm)	-	-	-
Weight - "standard" crane without stabilizers (kg)	250	265	295
Weight - stabilizer equipment (kg)	12 - 20	12 - 20	12 - 20

Hiab 026 T-3



Atlas Polar
IT'S ALL ABOUT QUALITY™

Atlas Polar Company Ltd.
60 Northline Road
Toronto, ON M4B 3E5
Canada
1-888-799-4422
info@atlaspoler.com
www.atlaspoler.com